

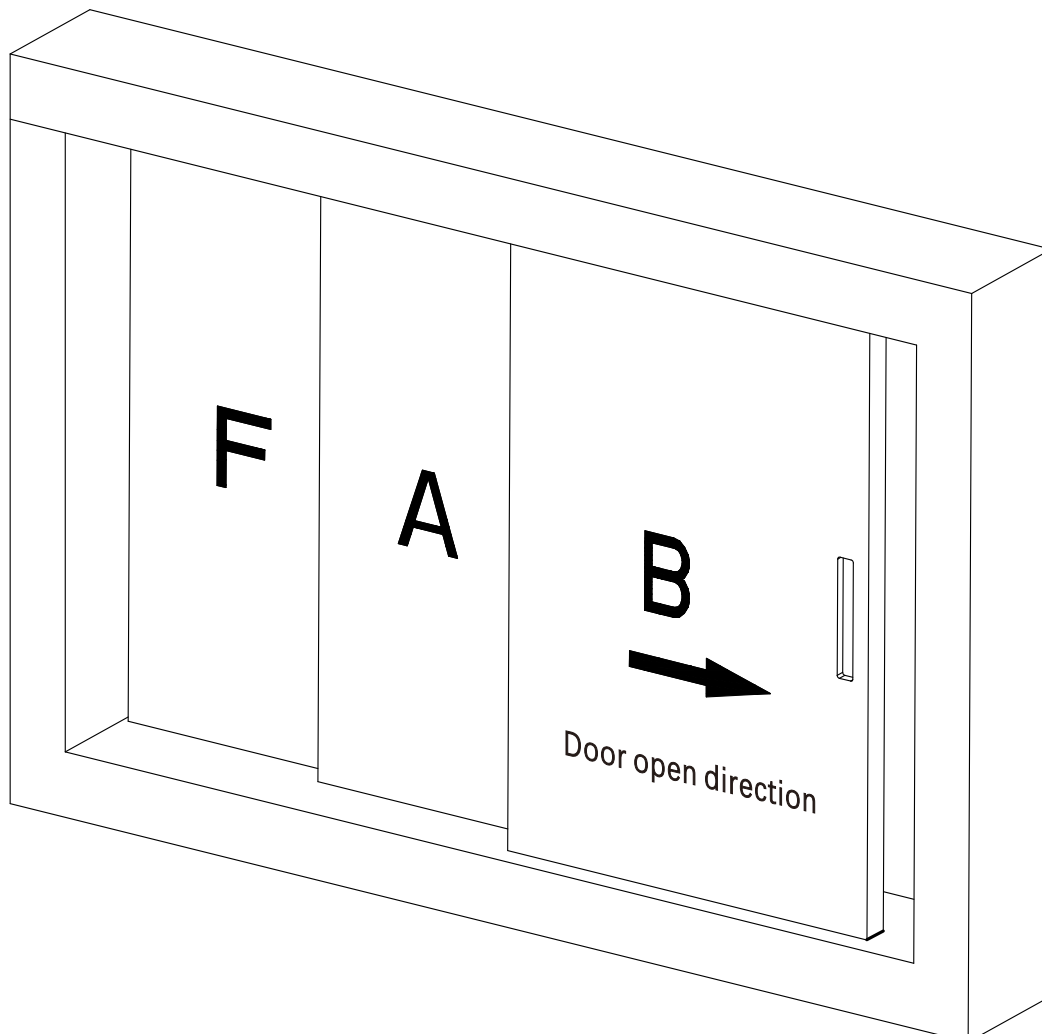
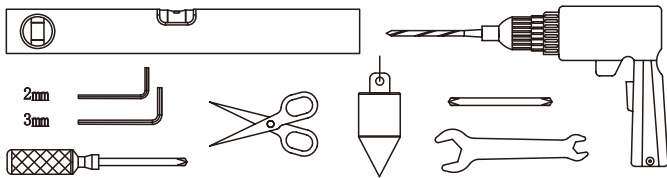
Telescopic Sliding Frameless Glass 2 Door System Installation Instructions

Installation Instructions:

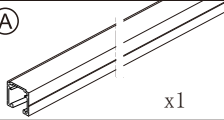
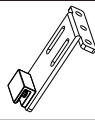
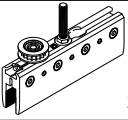
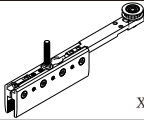
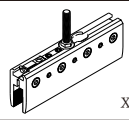
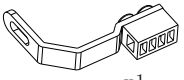
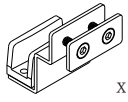
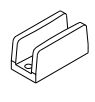
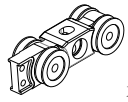
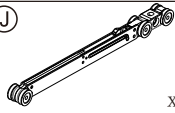
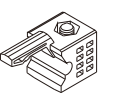
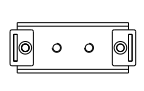
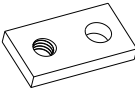

Notice:

1. This system can not be installed in all hidden slot, must have enough space to install.
2. The rail must be installed on steel girders or reinforced concrete in enough strong.
3. Please clean the inside of rail without any foreign matter, then put roller hardware inside.
4. We suggest customer ask serviceman to inspect the sliding door if it is used frequently.

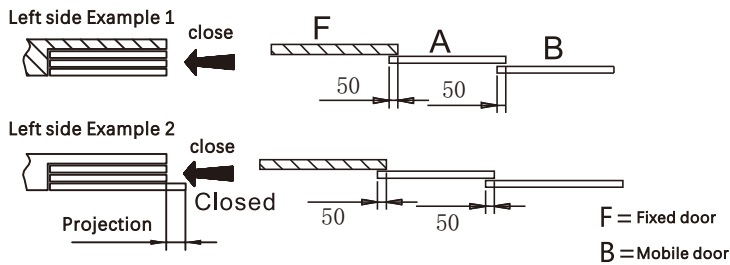
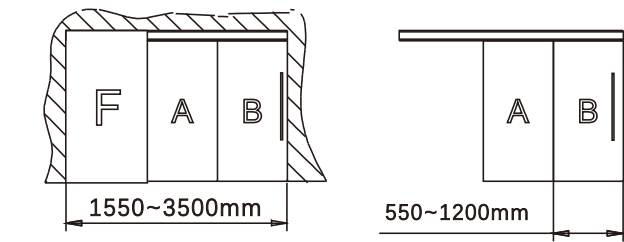
Installation Tools:



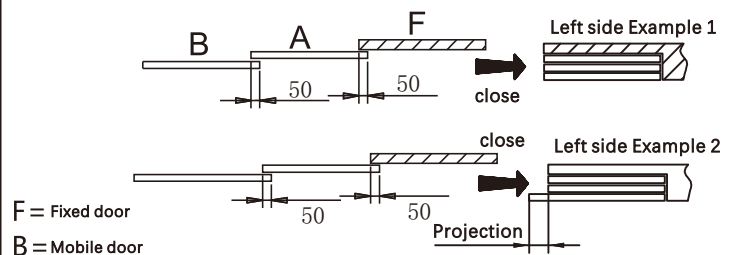
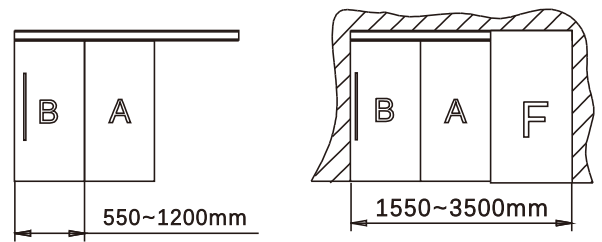
Accessories list

A  x1	B  x1	C  x1	D  x1	E  x2	F  x1
G  x1	H  x1	I  x2	J  x2	K  x2	
L  x2	M  x1	N  x1			

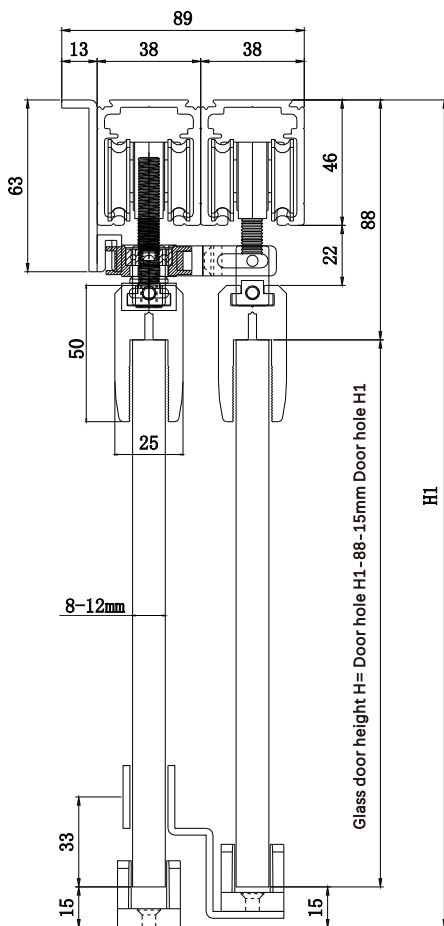
1 Left Linkage door



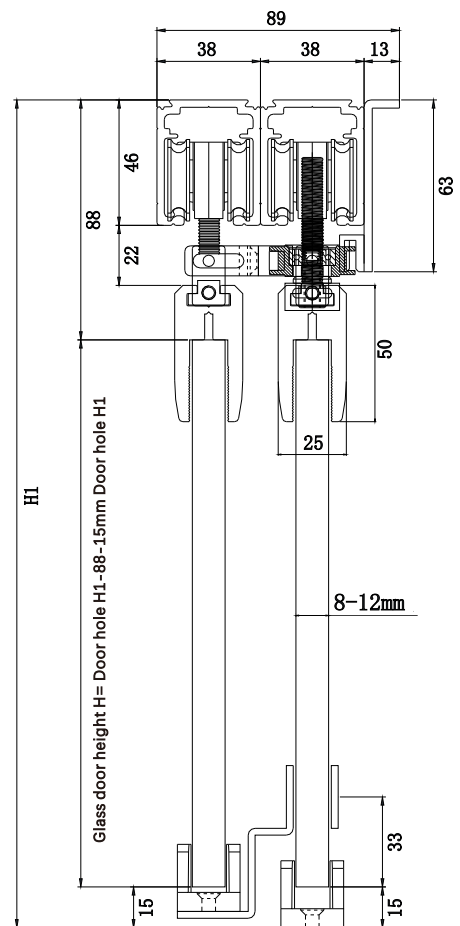
2 Right Linkage door



3 Left Linkage door diagram



4 Right Linkage door diagram



5 Calculation formula of door's width

The calculation of Left side example 1 and Right side 1 is the same.

$$L = \frac{(P \times 2) - 100}{3}$$

$$B = (L/2) + 50$$

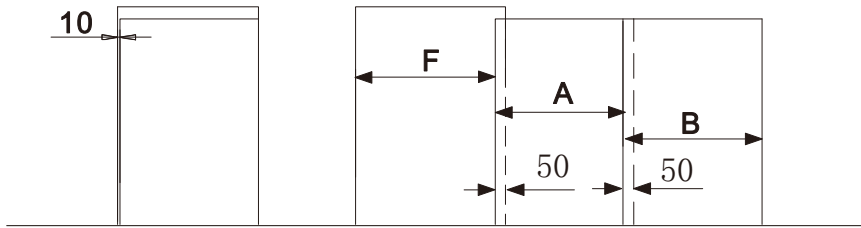
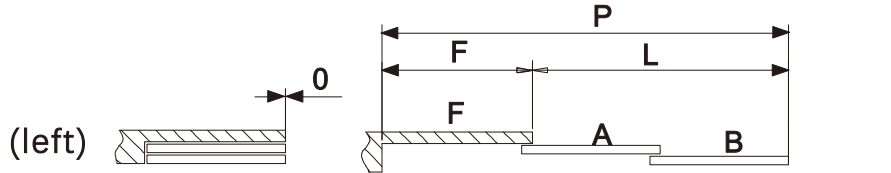
$$A = (L/2) + 50$$

$$F = (L/2) + 60$$

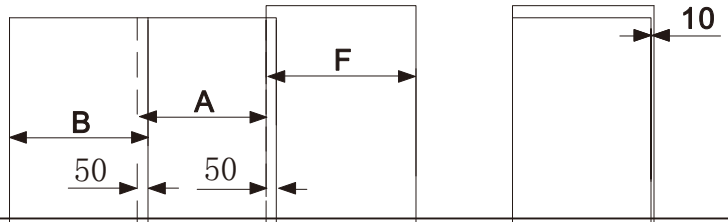
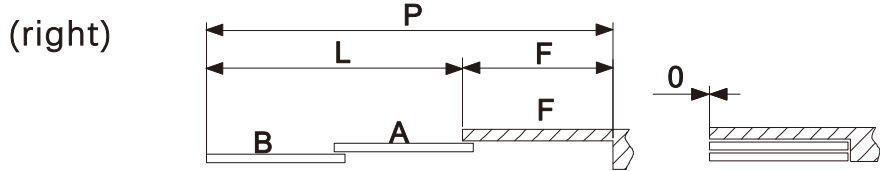
$$P = L + F$$

$$TC = L$$

$$TL = P$$



Door height H =
Door hole - 103mm



6 Calculation formula of door's width

The calculation of Left side example 2 and Right side 2 is the same.

$$L = \frac{(P \times 2) + S - 100}{3}$$

$$Z = L - S$$

$$B = (Z/2) + 50$$

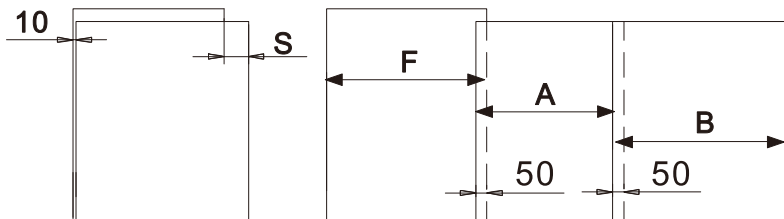
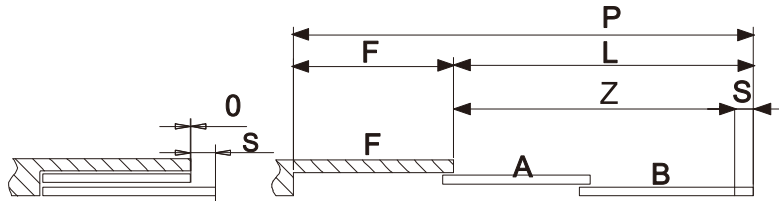
$$A = (Z/2) + 50$$

$$F = (Z/2) + 60$$

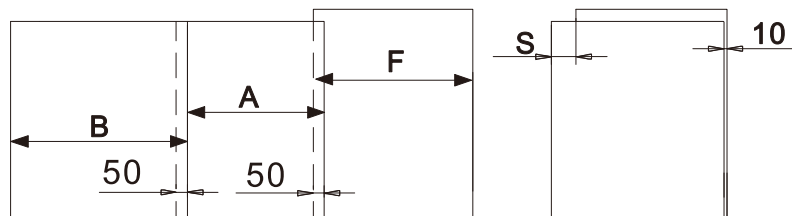
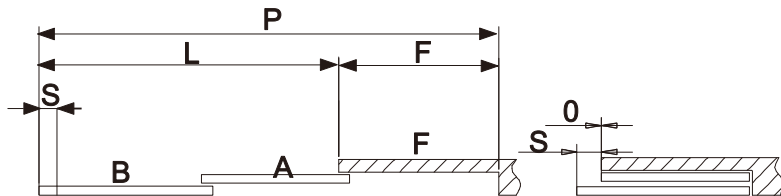
$$P = L + F$$

$$TC = L$$

$$TL = P$$



Door height H =
Door hole - 103mm



5-1 Example of the door's dimensions calculation

The calculation of Left side example 1 and Right side 1 is the same

$$L = \frac{(P \times 2) - 100}{3} \quad P = 3200 \text{ mm}$$

$$L = \frac{(3200 \times 2) - 100}{3} = 2100$$

$$L = 2100 \text{ mm}$$

$$B = (L/2) + 50$$

$$A = (L/2) + 50$$

$$F = (L/2) + 60$$

$$B = (2100/2) + 50 = 1100 \text{ mm}$$

$$A = (2100/2) + 50 = 1100 \text{ mm}$$

$$F = (2100/2) + 60 = 1110 \text{ mm}$$

$$B = 1100 \text{ mm}$$

$$A = 1100 \text{ mm}$$

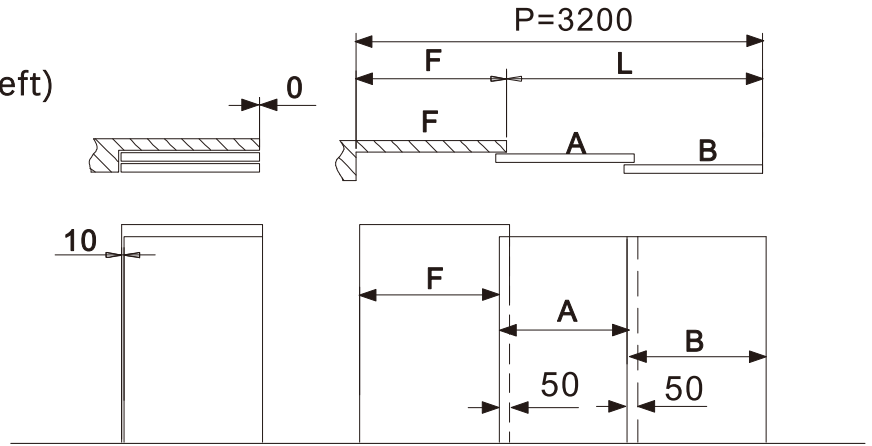
$$F = 1110 \text{ mm}$$

Door Hole Height = 2400 mm

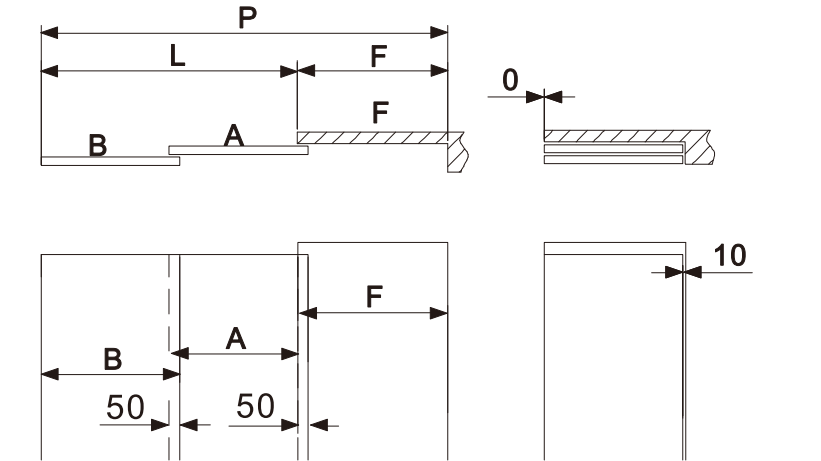
Door height = door hole - 103 mm

Door height = 2400 - 103 mm = 2297 mm

(left)



(right)



6-1 Example of the door's dimensions calculation

The calculation of Left side example 2 and Right side 2 is the same

$$L = \frac{(P \times 2) + S - 100}{3} \quad P = 3200 \text{ mm}$$

$$L = \frac{(3200 \times 2) + 80 - 100}{3} = 2126.6 \Rightarrow 2127 \quad L = 2127 \text{ mm}$$

$$Z = L - S \quad Z = 2127 - 80 \quad Z = 2047 \text{ mm}$$

$$B = (Z/2) + S + 50$$

$$A = (Z/2) + 50$$

$$F = (Z/2) + 60$$

$$B = (2047/2) + 80 + 50 = 1153.5 \Rightarrow 1154 \quad B = 1154 \text{ mm}$$

$$A = (2047/2) + 50 = 1073.5 \Rightarrow 1074 \quad A = 1074 \text{ mm}$$

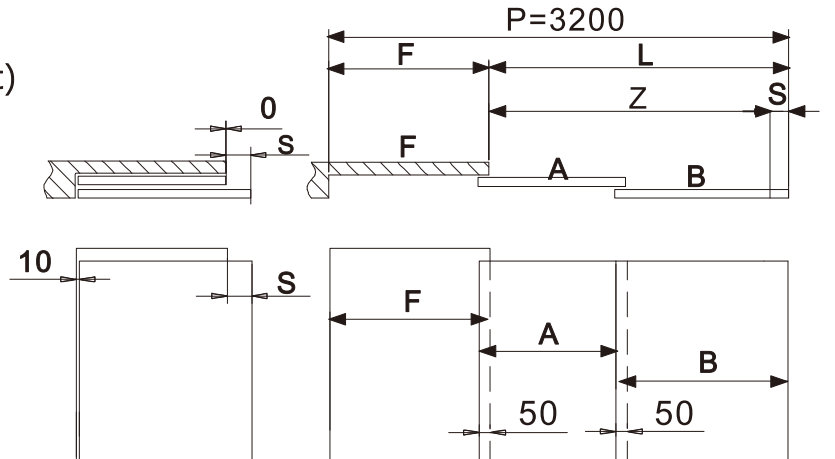
$$F = (2047/2) + 60 = 1083.5 \Rightarrow 1084 \quad F = 1084 \text{ mm}$$

Door Hole Height = 2400 mm

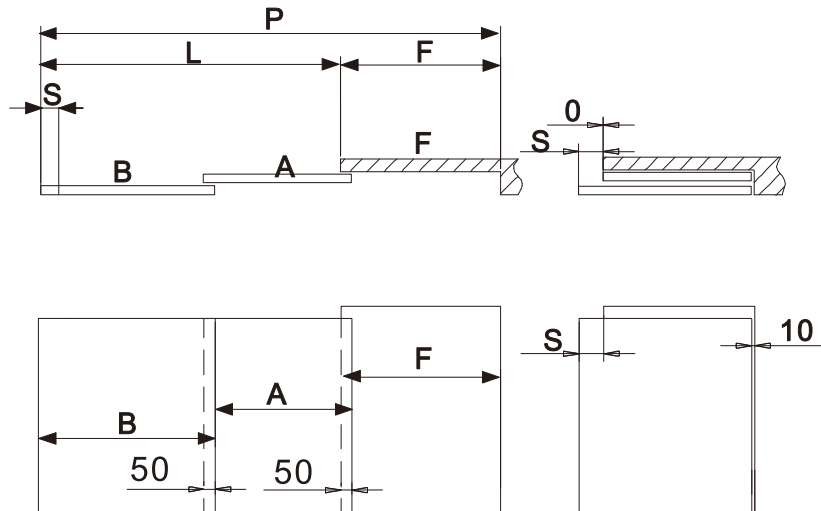
Door height = door hole - 103 mm

Door height = 2400 - 103 mm = 2297 mm

(left)

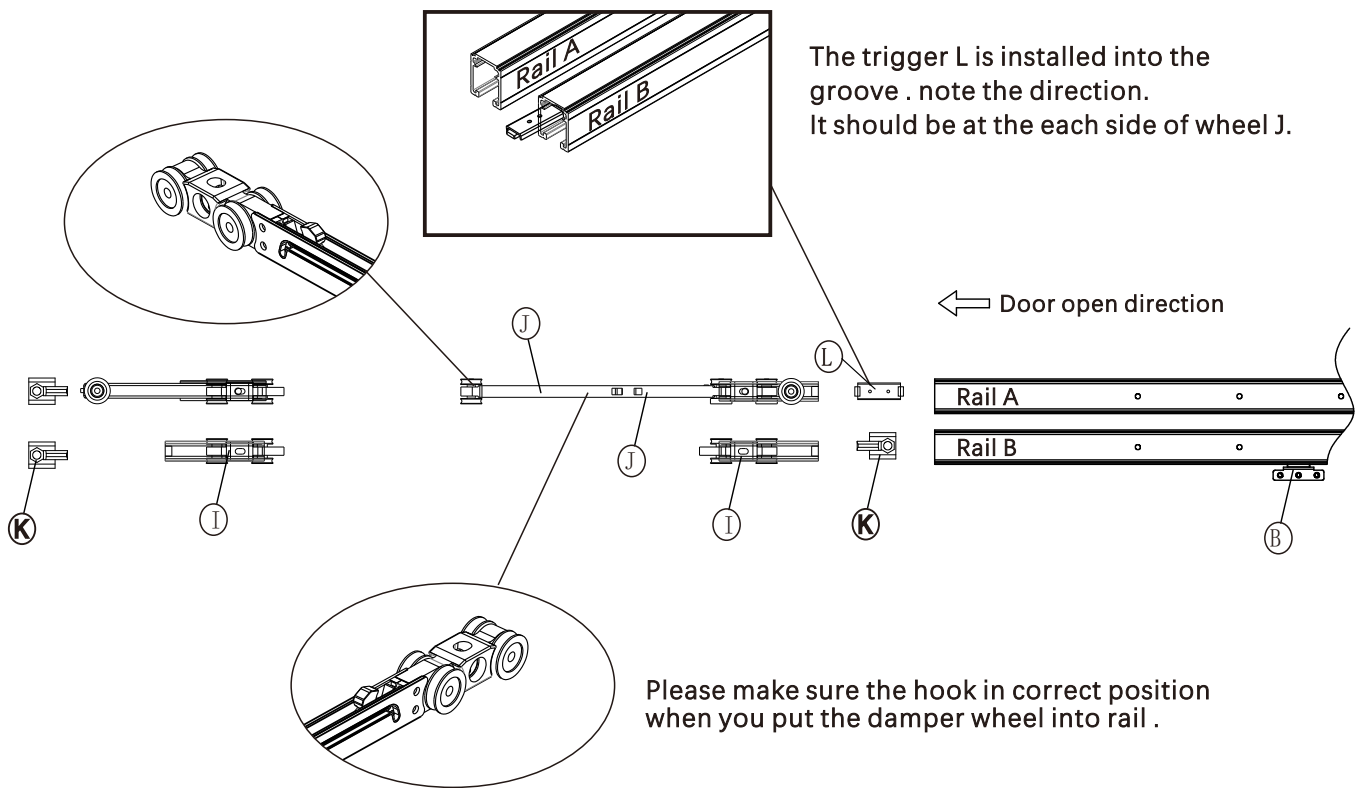
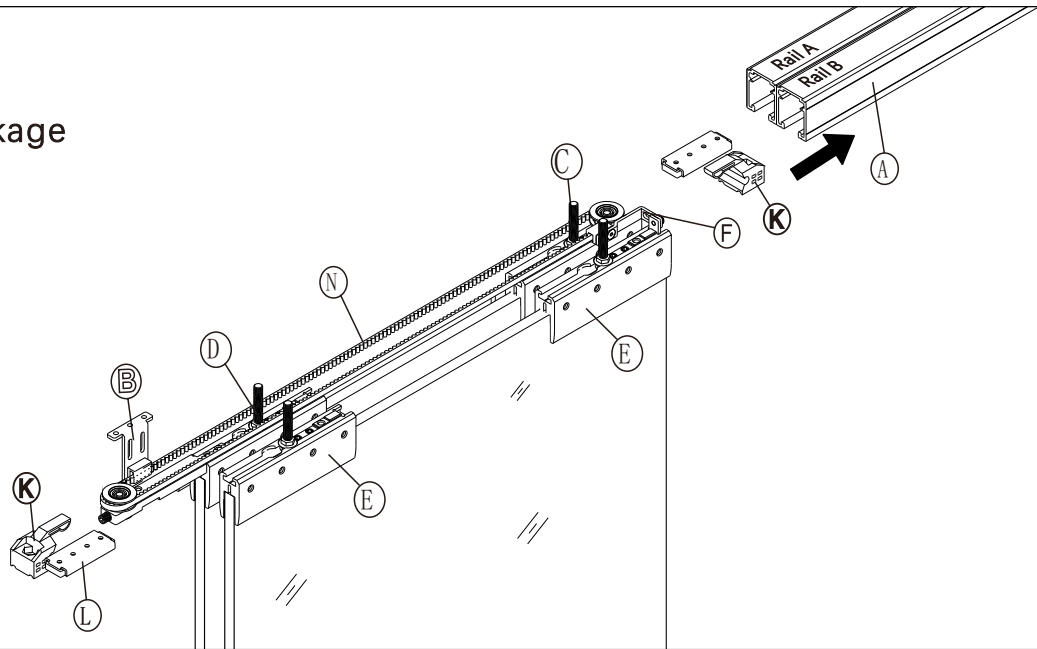


(right)

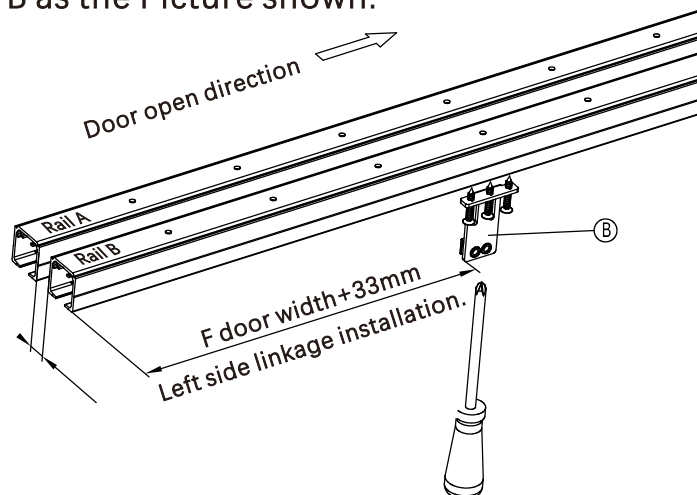


7 Accessories

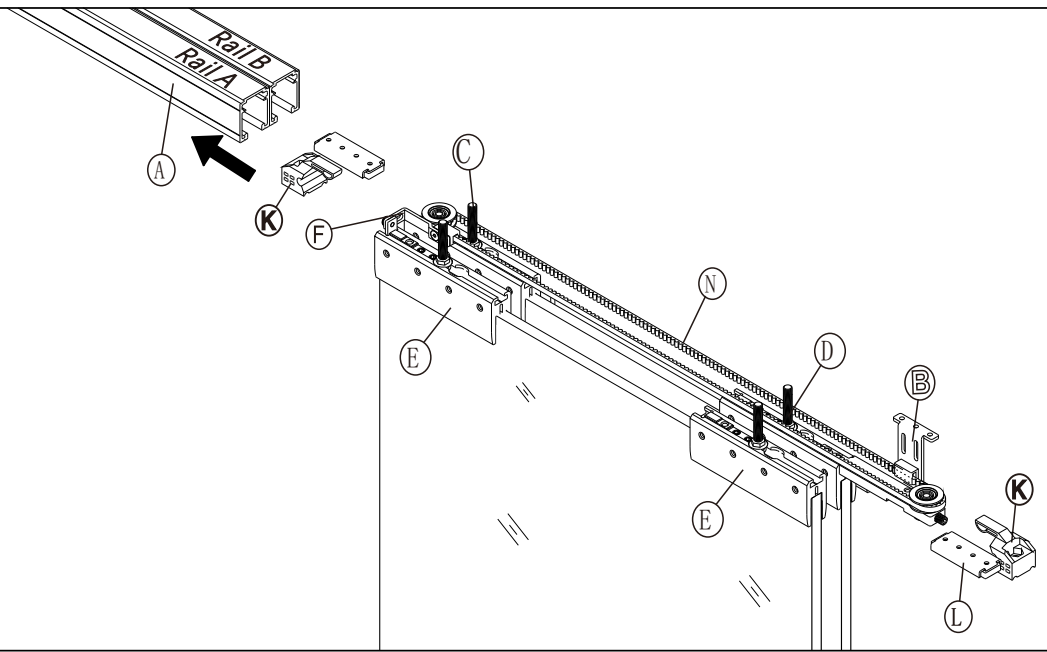
7-1 Right side Linkage



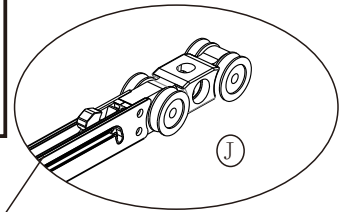
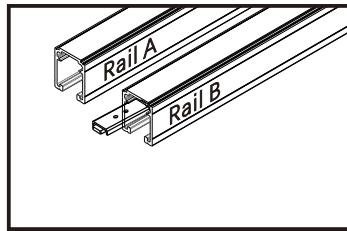
After the accessories are installed into rail , Please insatll the rail on ceiling.
Install the Fixing plate B as the Picture shown.



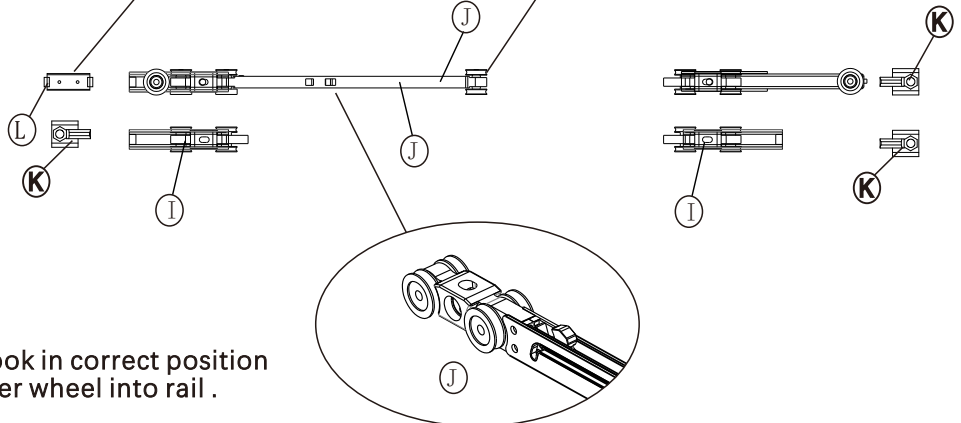
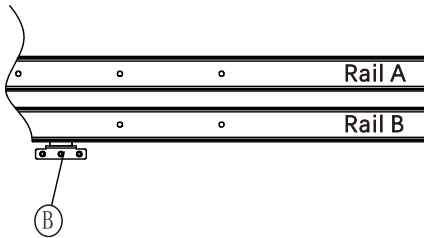
7-2 left side Linkage



The trigger L is installed into the groove . note the direction. It should be at the each side of wheel J.

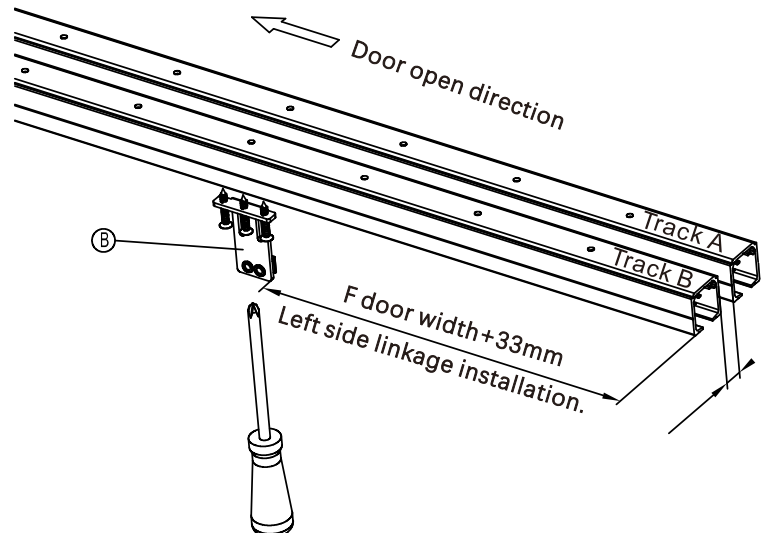


Door open direction →



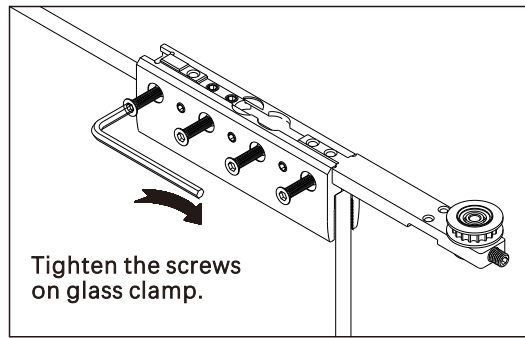
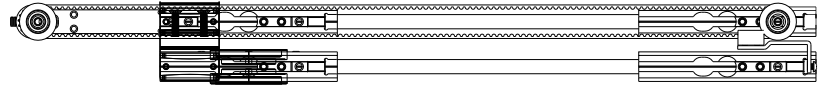
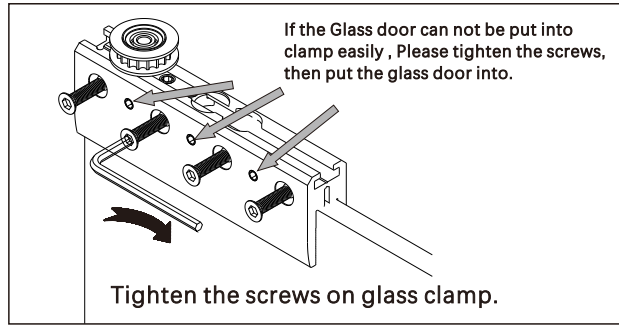
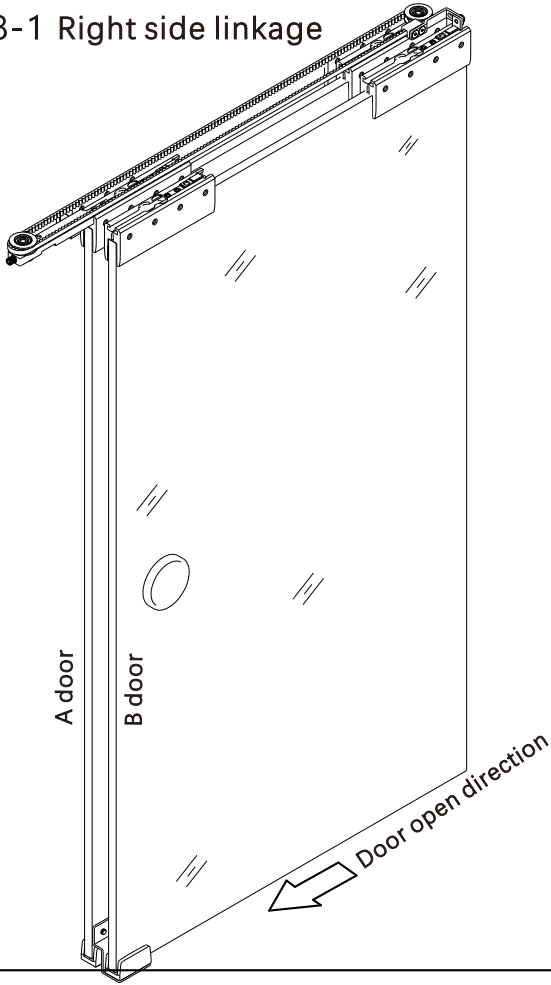
Please make sure the hook in correct position when you put the damper wheel into rail .

After the accessories are installed into rail , Please insatll the rail on ceiling. Install the Fixing plate B as the Picture shown.



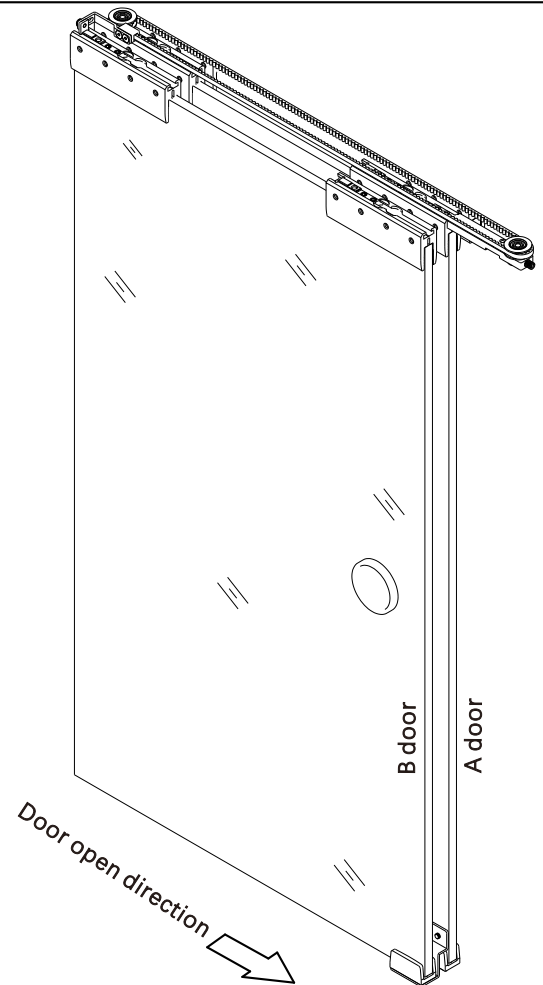
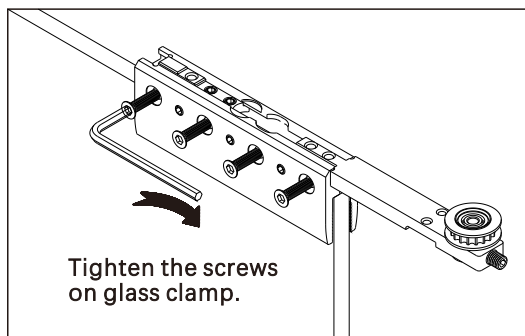
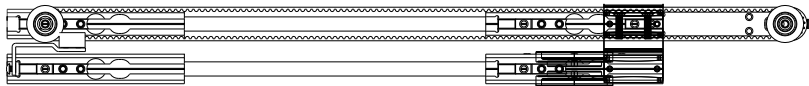
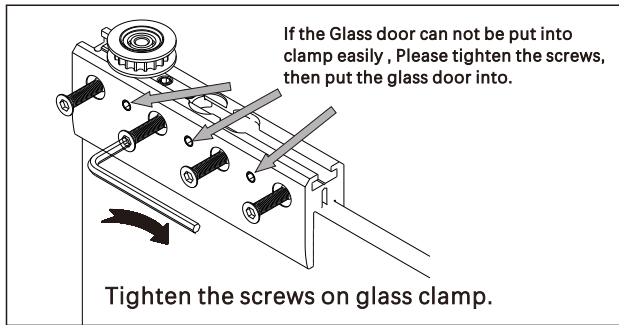
8 Install the bracket

8-1 Right side linkage



8-2

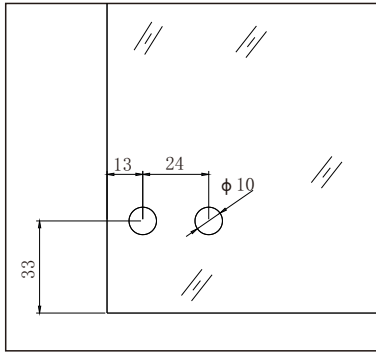
left side linkage



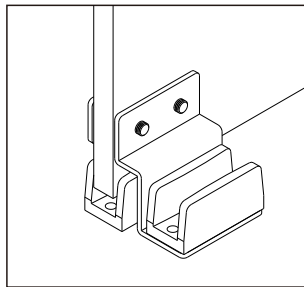
9 Install door A ground guide

9-1 Right side linkage

Before Install A door,
Please install bottom guide G on the A door.



Glass door hole dimension

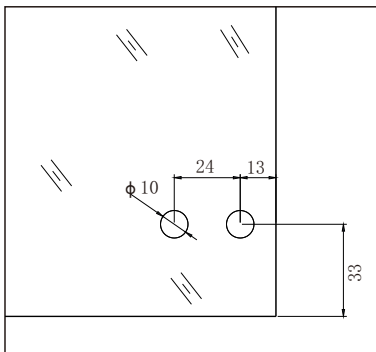


Install G on the A door.

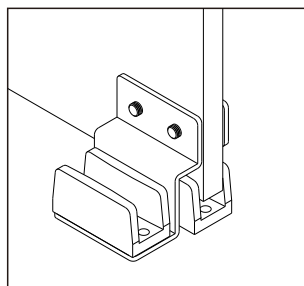


9-2 Left side linkage

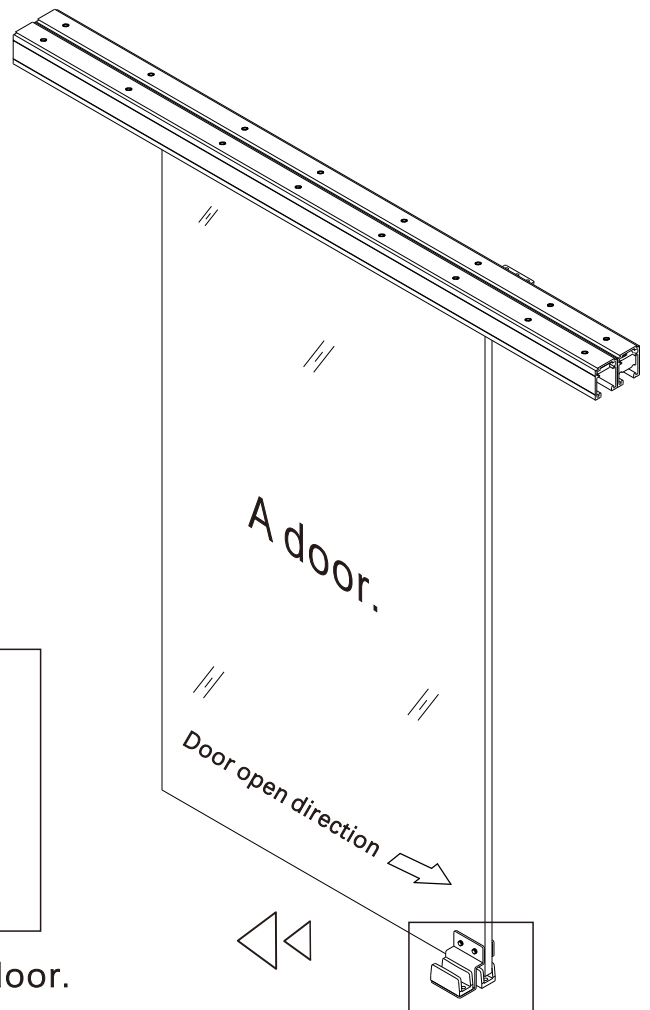
Before Install A door,
Please install bottom guide G on the A door.



Glass door hole dimension



Install G on the A door.

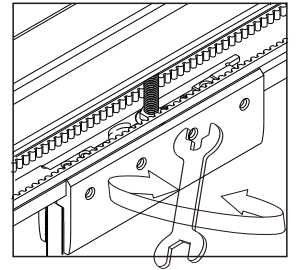
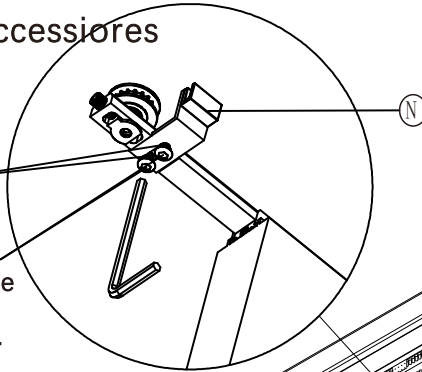


10 Install A door's accessories

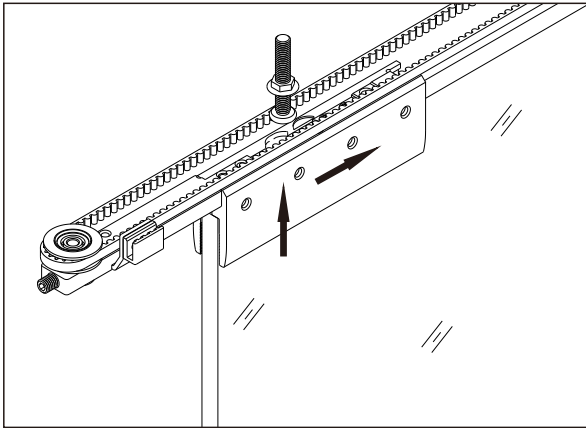
10-1 Right side linkage

Spring washer M5

Install the fixing plate N on the guide wheel bracket. Use M5*12 hexagonal screws.



Adjust the screw's rod to change the door's height.



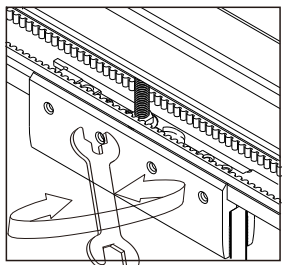
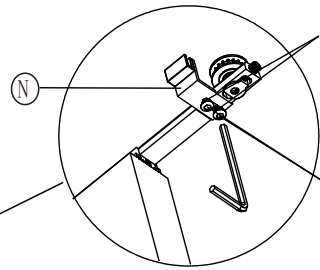
Notice: after install the bracket on A door, B door and C door, please tighten the screws firstly.

10-2

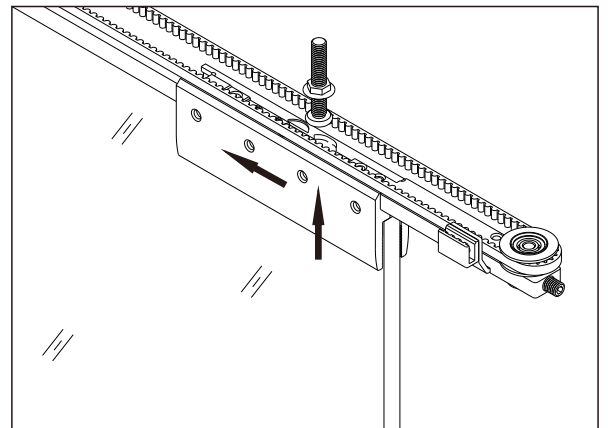
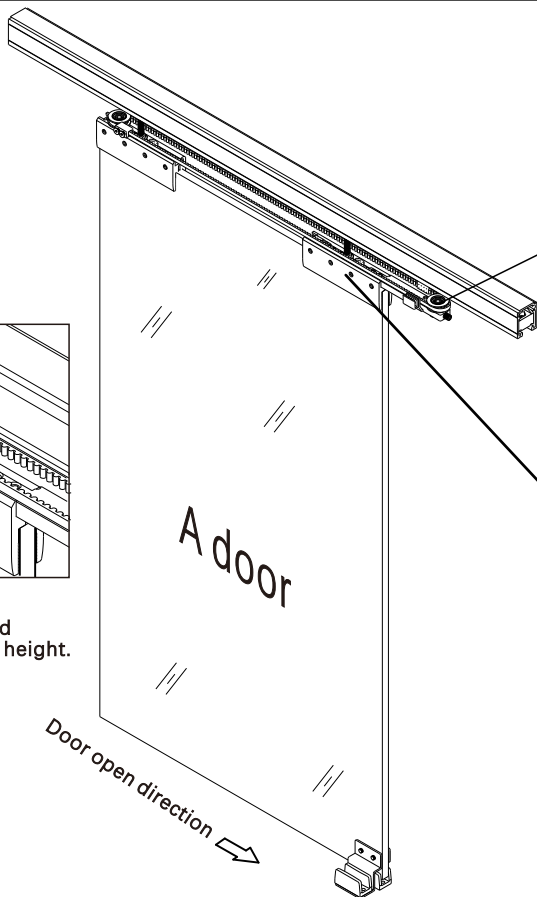
Left side linkage

Spring washer M5

Install the fixing plate N on the guide wheel bracket. Use M5*12 hexagonal screws.



Adjust the screw's rod to change the door's height.

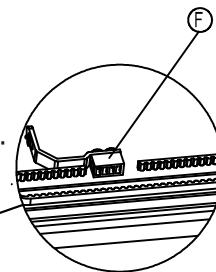


Notice: after install the bracket on A door, B door and C door, please tighten the screws firstly.

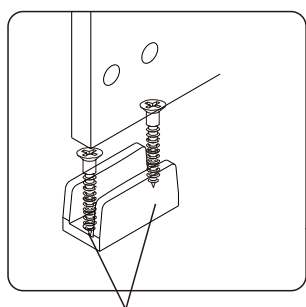
11 Install Bottom guide on A door

11-1 Right side linkage

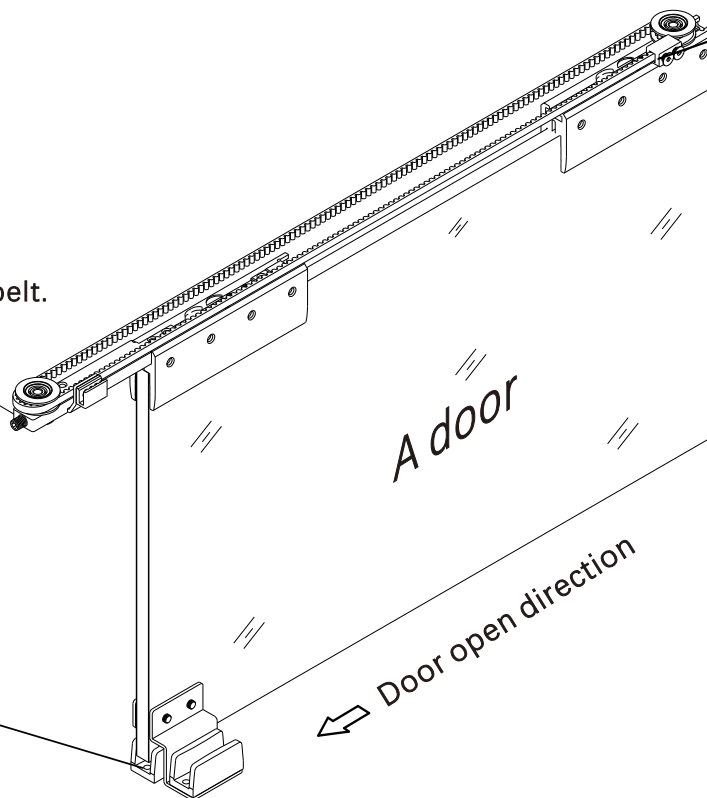
Make sure the length of belt in need, install it with connector F. Make sure there are two teeth on both side.



Adjust the screws to change the degree of tightness for belt.

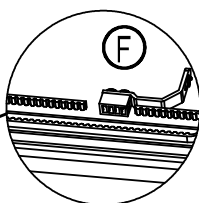


self-tapping screw M4*30
The guide can not be exceed the outer of the door (Closed state)

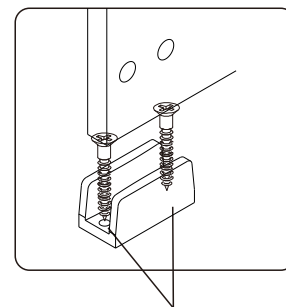


11-2 Left side linkage

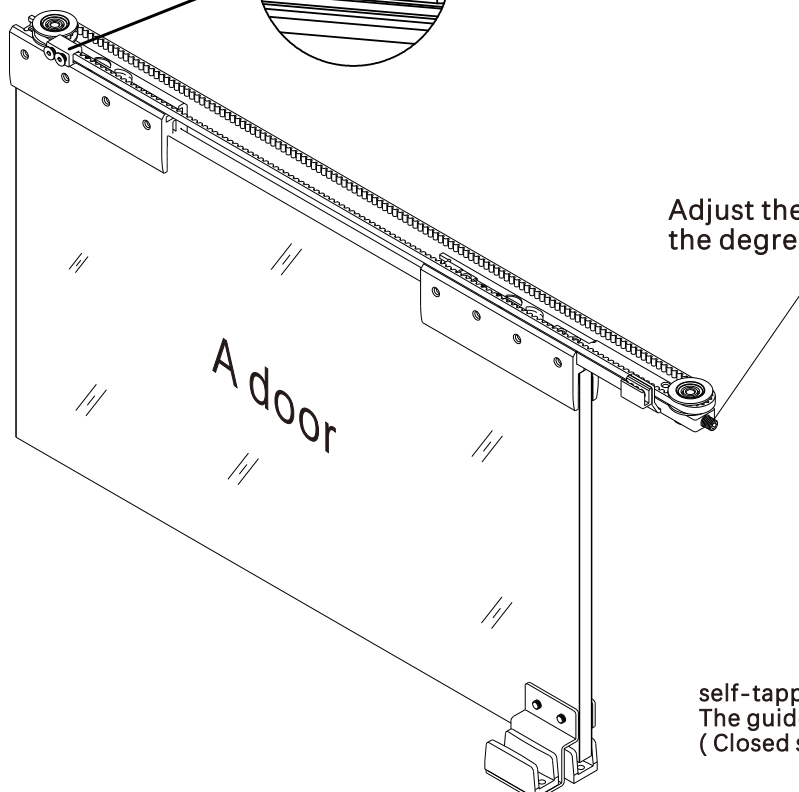
Make sure the length of belt in need, install it with connector F. Make sure there are two teeth on both side.



Adjust the screws to change the degree of tightness for belt.



self-tapping screw M4*30
The guide can not be exceed the outer of the door (Closed state)

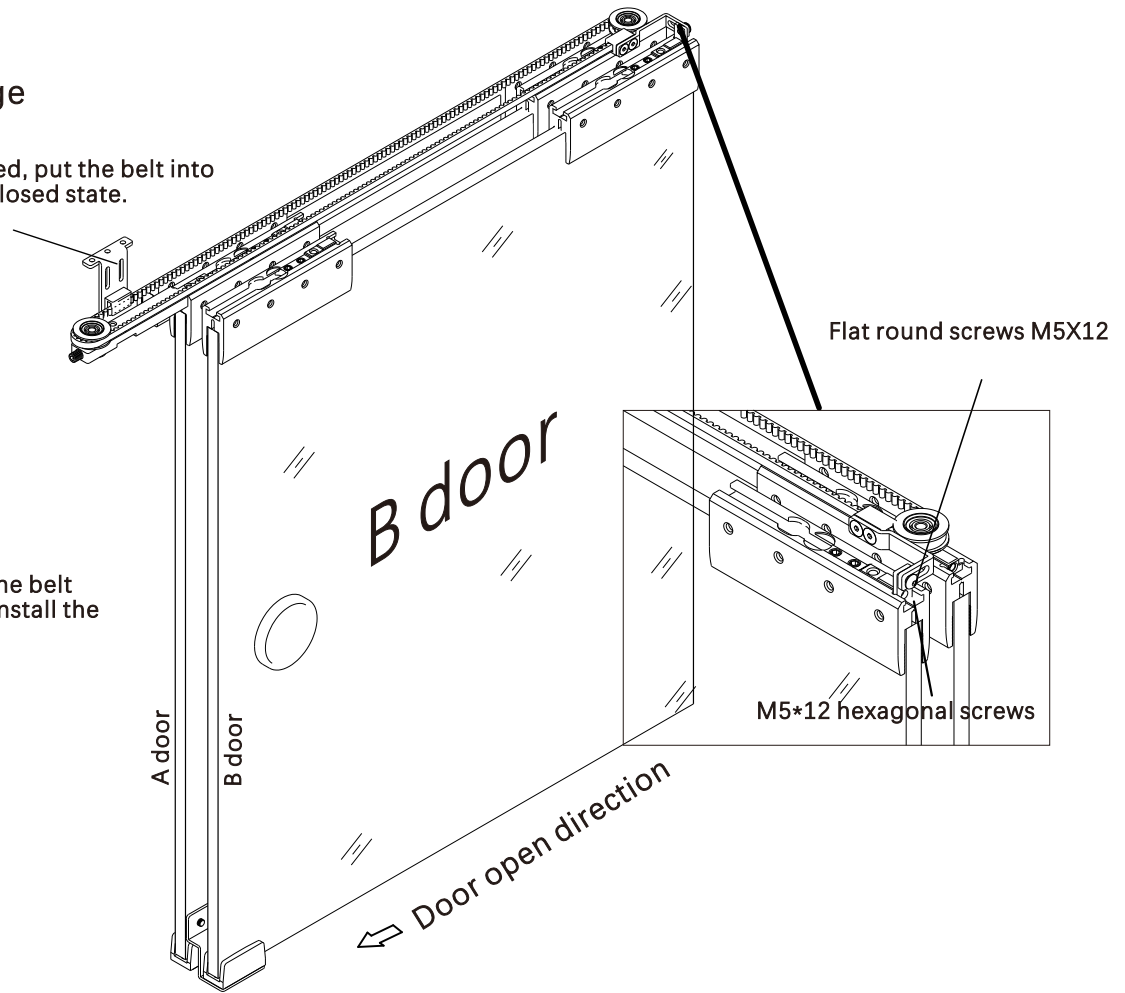


12 Install B door

12-1 Right side linkage

After the connector F is completed, put the belt into the holder B after the door is in closed state.

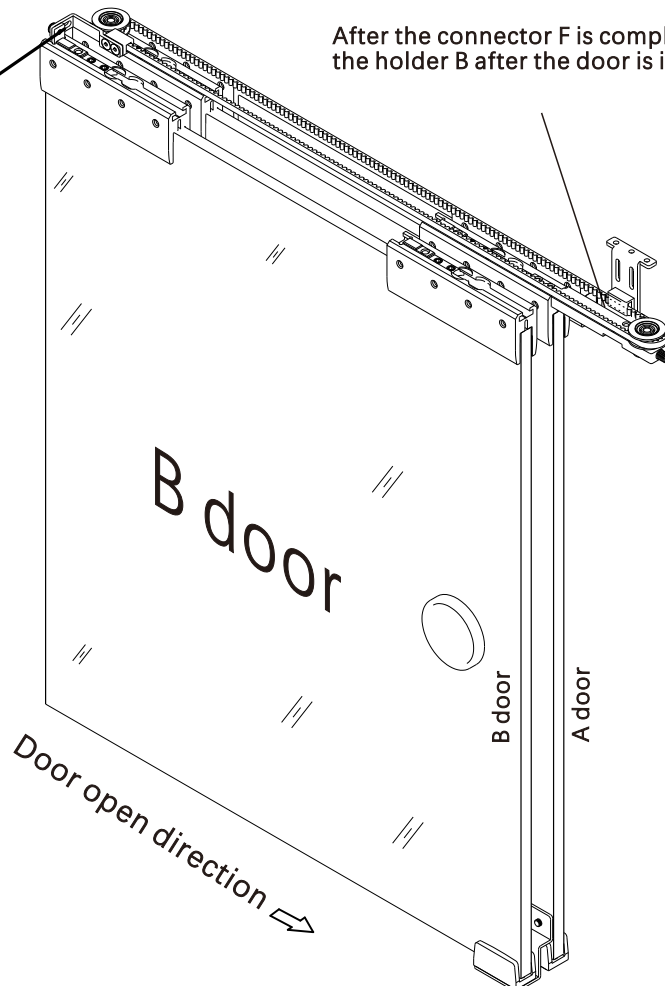
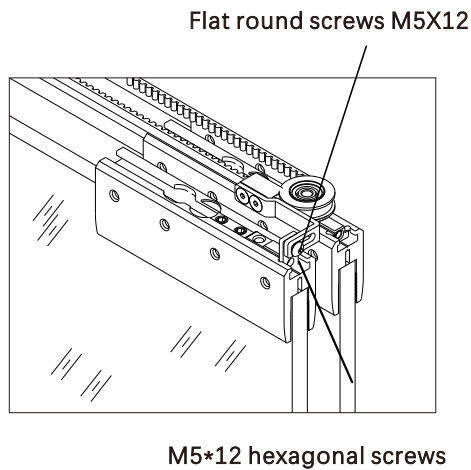
Flush the A door and B door, Fix the belt connector on the B door's clamp. Install the guide G on the bottom of B door.



12-2 Left side linkage

After the connector F is completed, put the belt into the holder B after the door is in closed state.

Flush the A door and B door, Fix the belt connector on the B door's clamp. Install the guide G on the bottom of B door.



13 Adjust C door 's trigger ,A door and B door 's stopper.

Adjust the K stopper and trigger L according the installation situation.

