



佛山新思力德五金
FOSHAN NEW SLIDE HARDWARE



U-SHAPE GLASS CLAMP

佛山新思力德建筑五金
电话: +86 16626956080
邮箱: INFO@NEWSLD.COM
地址: 广东省佛山市南海区大沥镇风雅新区八路1号

FOSHAN NEW SLIDE ARCHITECTURAL HARDWARE FACTORY
TELL: +86 16626956080
EMAIL: INFO@NEWSLD.COM
ADD: No.1-2 Fengya District, Dali Town, Nanhai District,
Guangdong Province, China 528251



WECHAT



WHATSAPP

公司简介 COMPANY INTRODUCTION

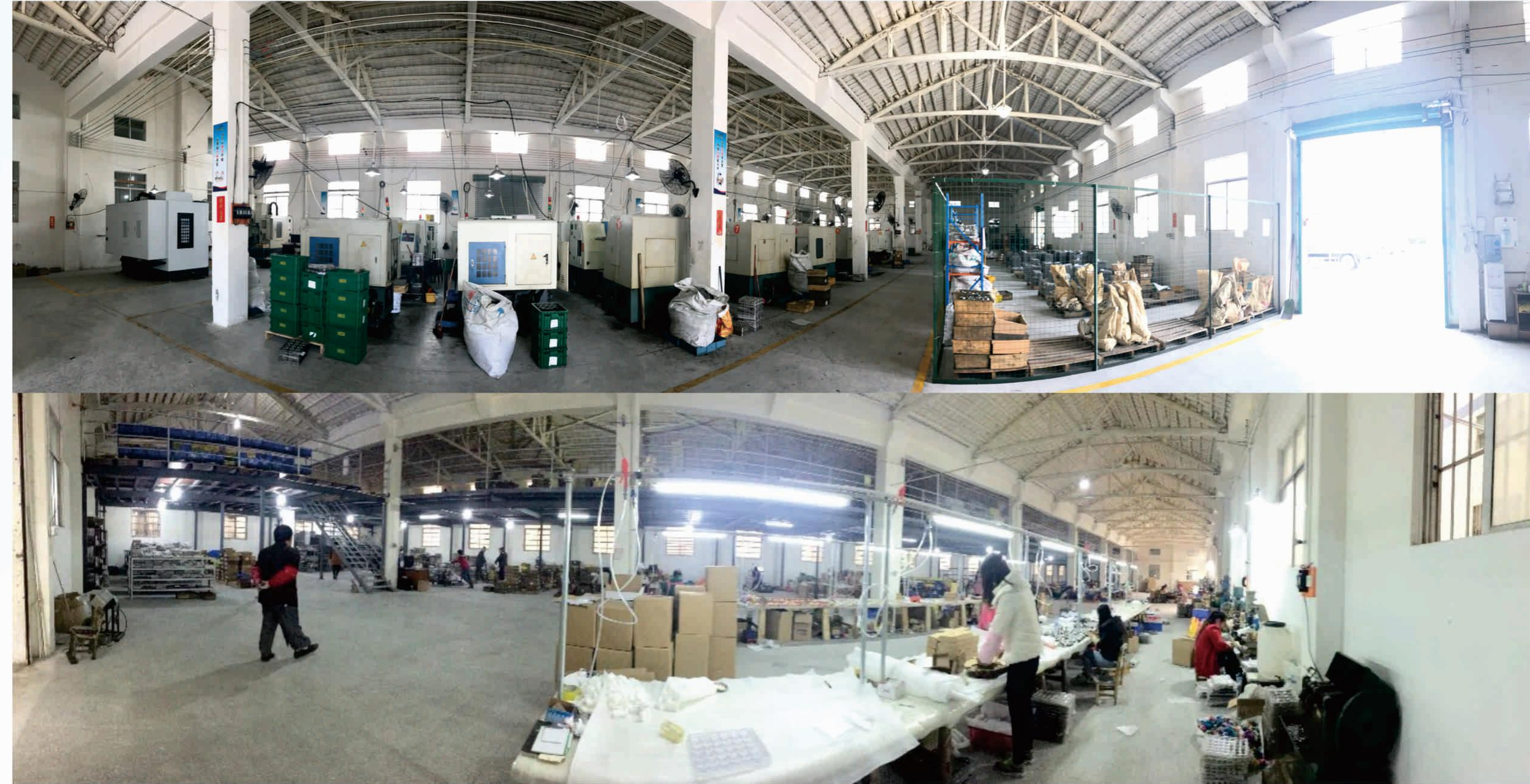
佛山新思力德五金配件公司，致力于提供性能优越、美观实用的高品质门控五金，淋浴房五金与玻璃配件等。

主要产品包括：玻璃五金配件，浴室夹，卫浴滑轮，地弹簧，门锁，拉手，免挖坑地弹簧，吸盘，联动门吊轮，合页，配件和铝型材产品等。

Foshan NEW SLIDE Hardware Accessories Company is the specialized provider of high-quality door control hardware, bathroom hardware and glass fittings products.

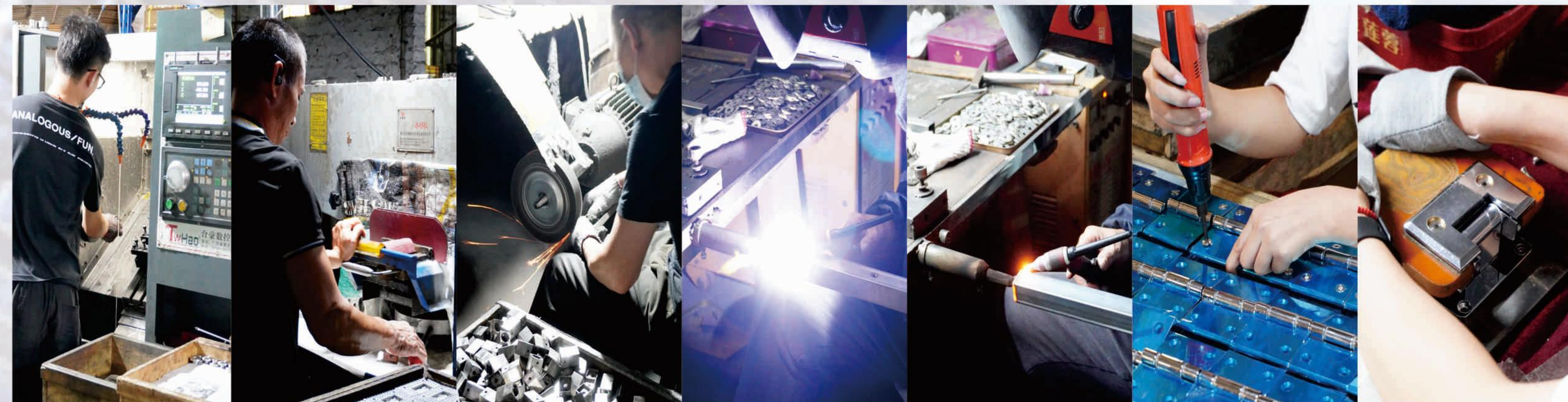
Our attention is focused on functionality and appearance.

Our product range covers glass fittings, shower hinge, shower roller, floor spring, door lock, door handle, non-digging patch fitting, glass suction cup, synchronized door wheel, hinge, accessories, aluminum profile and etc.



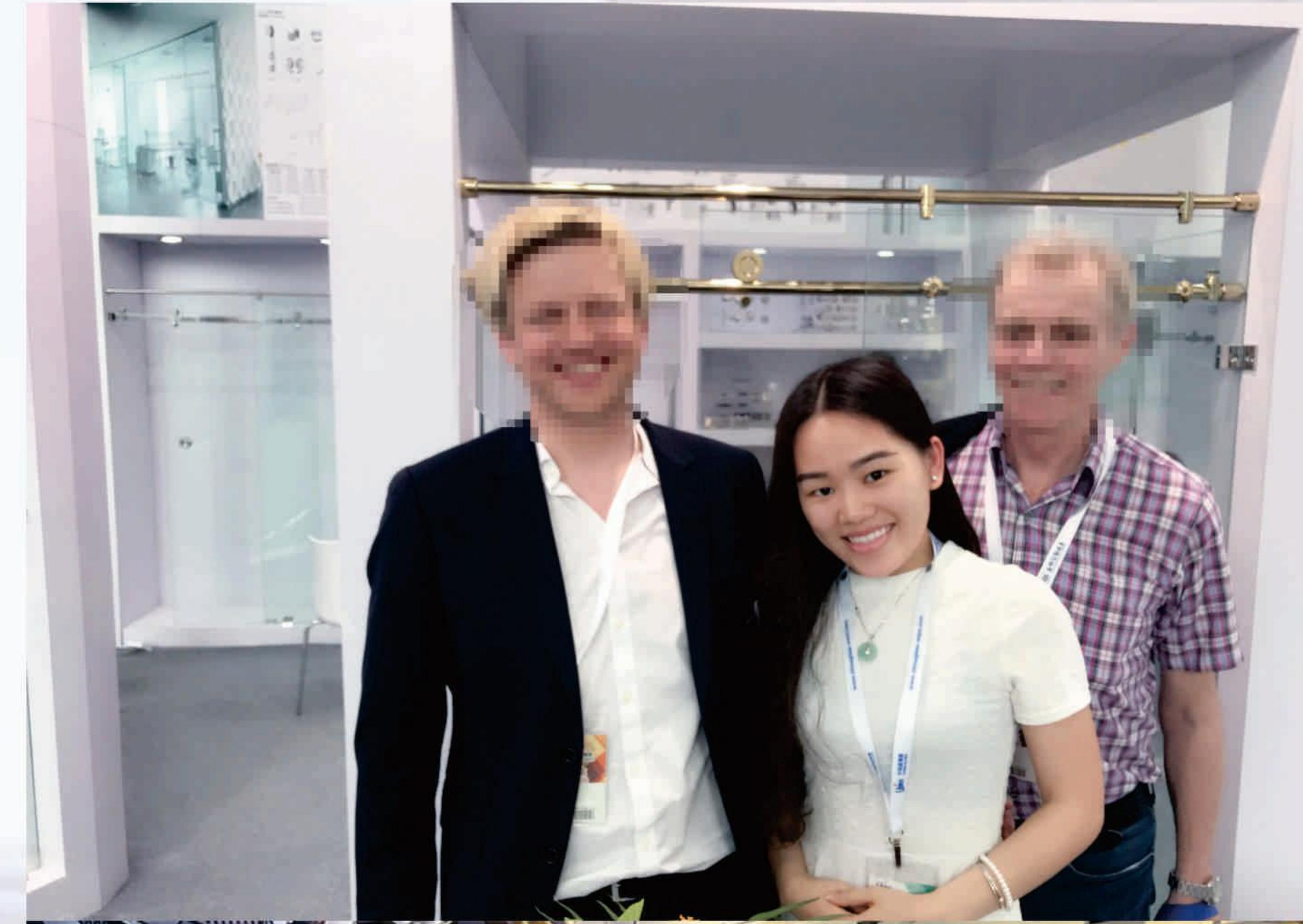
公司始建于2007年，10多年来，不断引进先进生产设备、工艺流程和管理理念，并不懈追求着技术创新和品质提升。我们将ISO9001质量管理体系，灌输于生产和管理的每一个环节，以确保我们每一个产品均符合质量标准。我们秉承“质量立根本，诚信促发展”的宗旨，标准与个性的糅合，让我们的产品最大限度地满足了客户的个性品味和建筑主体的性能需求。

NSLD Established in 2007, with 10 years development, we constantly introduce advanced equipment, processing and management. We are committed to technical innovation, as well as the quality upgrading. We strictly carry on the quality standard ISO9001. Quality controlling goes through all procession, whereby ensuring that our product meets your discerning tastes and constructional requirements.



We are following the objective of QUALITY FIRST, CUSTOMER FIRST. Let the quality and service speak on our behalf. We are highly devoted to pioneering and innovation, with the favourable price, the outstanding quality, to make a concession to every customers.

通过多年努力，我们建立了自主品牌“思力德SILIDE”。凭借着良好的声誉，卓越的品质，精湛的研发能力和专业周到的售前售后服务，我们的产品热销欧美，中东、非洲，东南亚等多个国家。

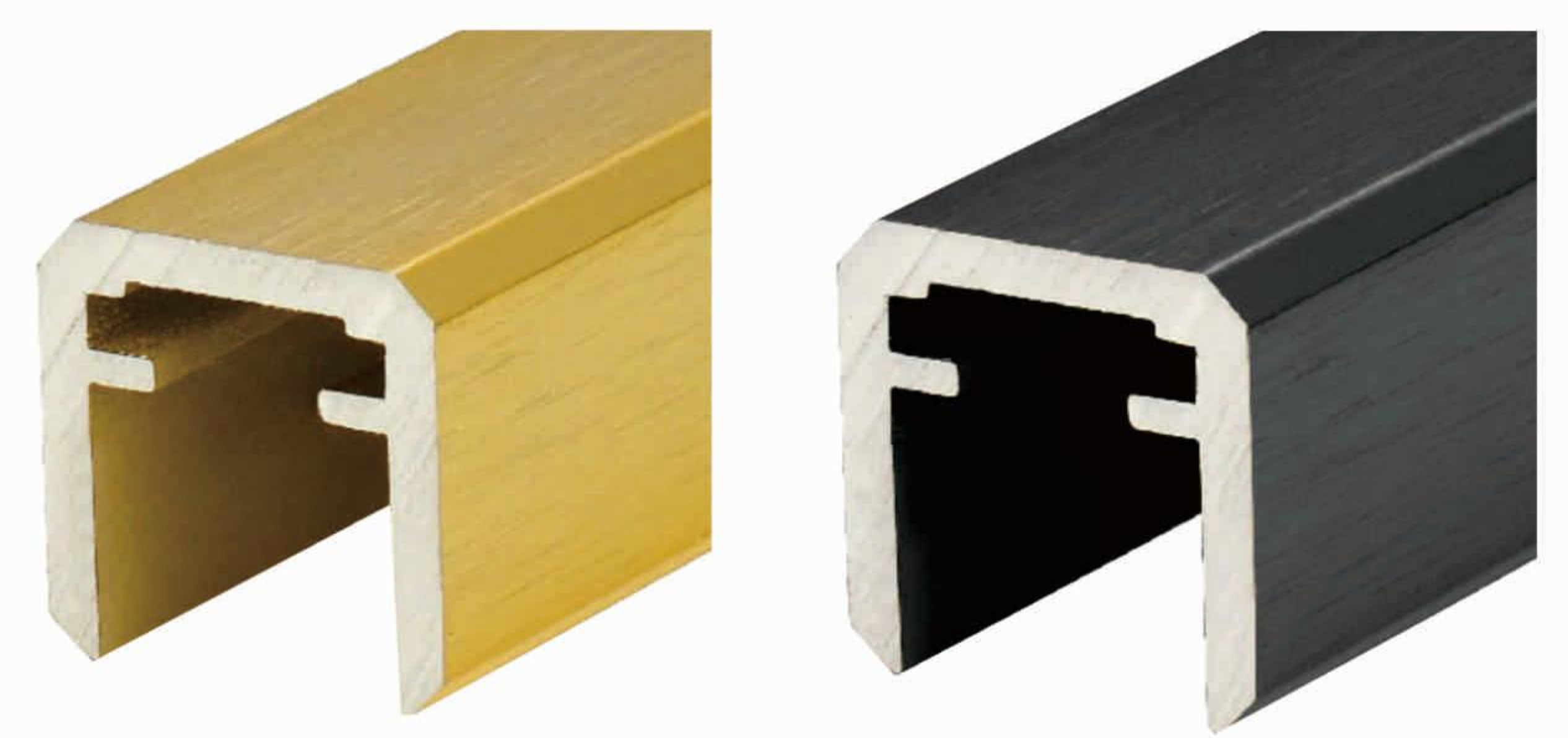


Hopefully, we will have the opportunity to bring profits to you. With your support and trust, we have confidence to do the best for you!

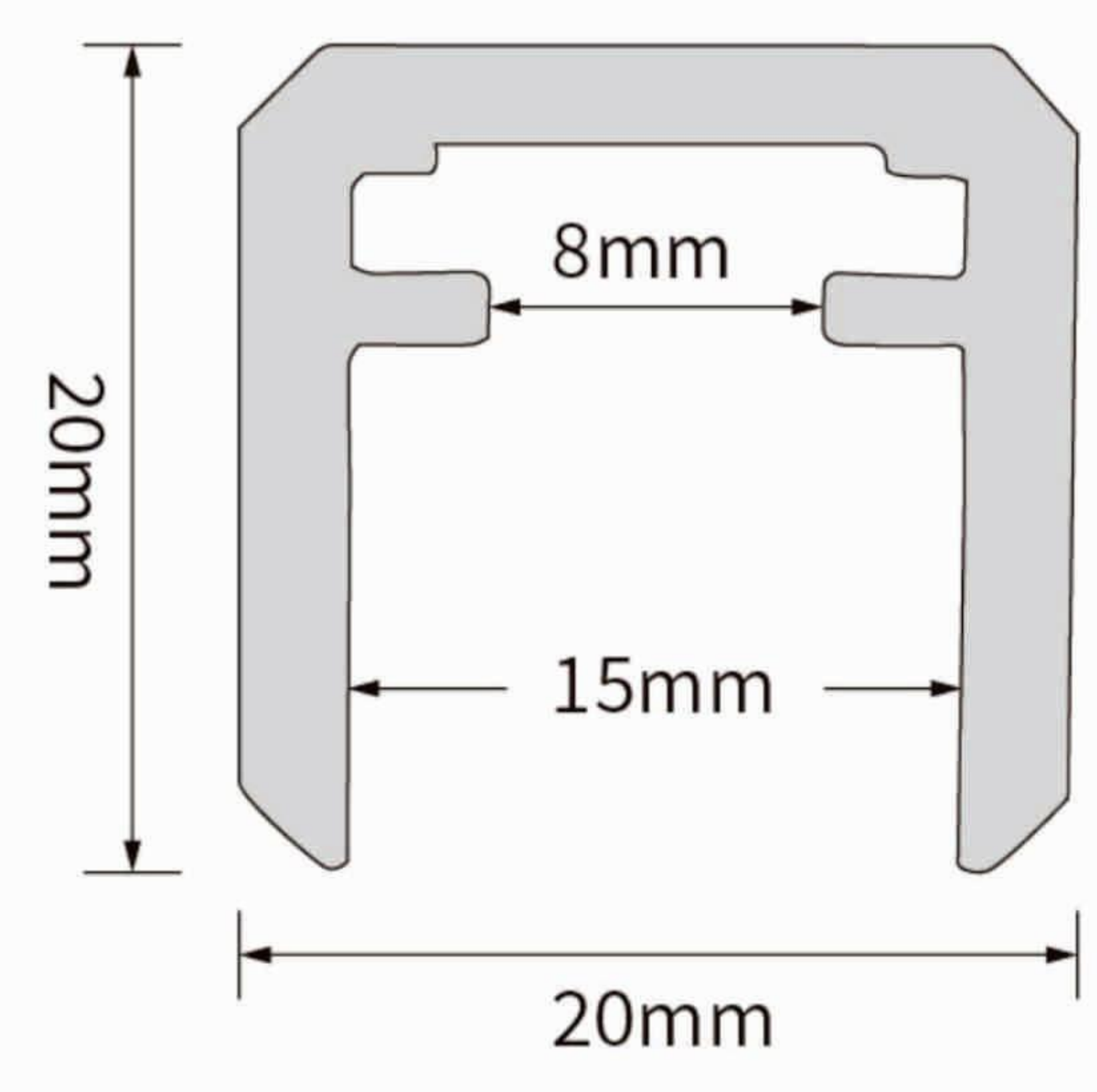
以品质为代言，以服务作护航。我们立足本国，放眼全球，开拓创新，追求卓越。诚邀各界朋友携手合作，共创美好明天！



UT-20

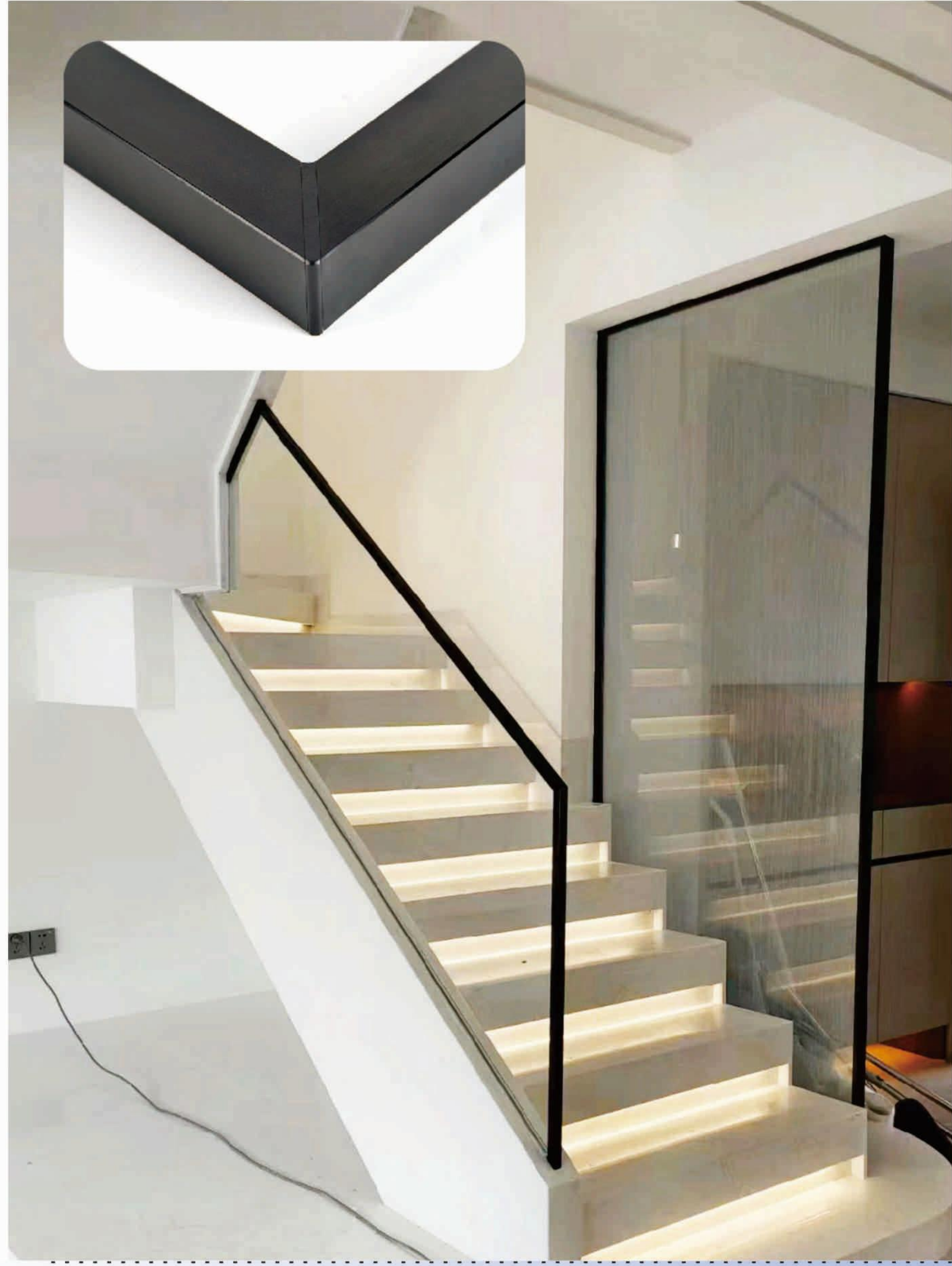


TECHNICAL DATE



- Material: Aluminum
- Color: Customized
- Finished: Anodized
- Thickness: 2.5MM
- Length: 3-4 Meters
- Glass Thickness: 10-12MM
- It can install tape lights

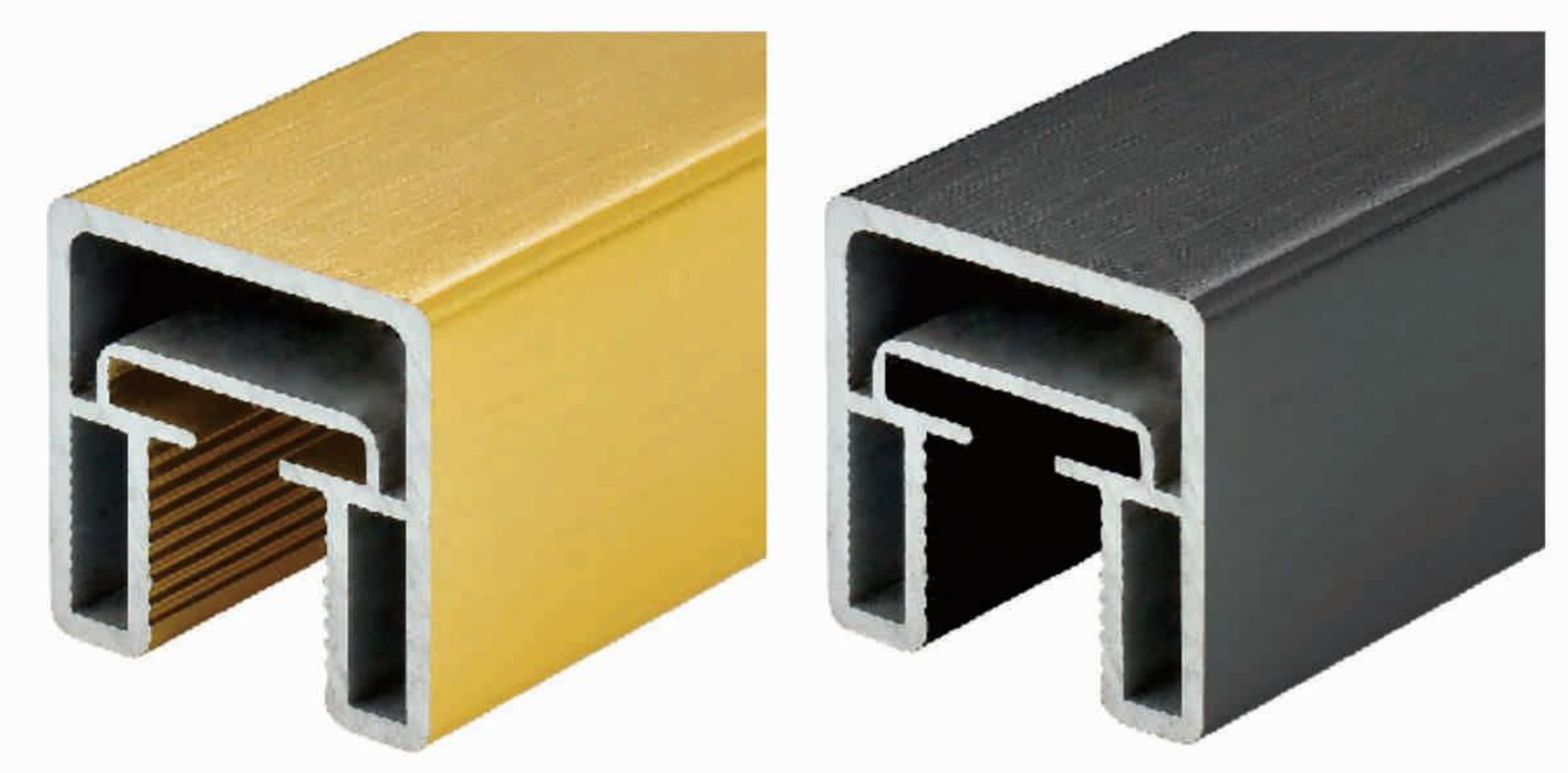
APPLICATION



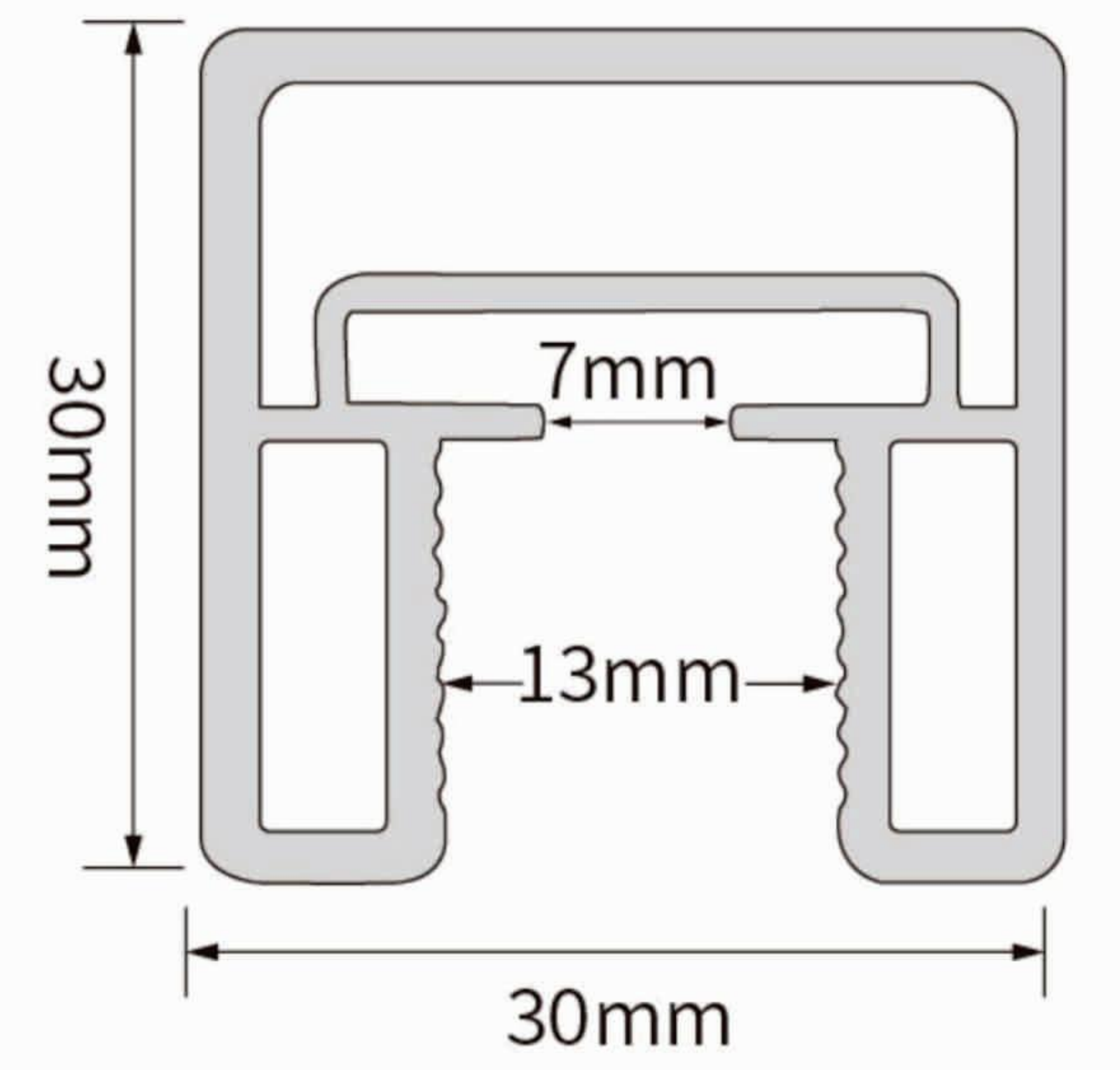
ACCESSORY SELECTION



UT-30

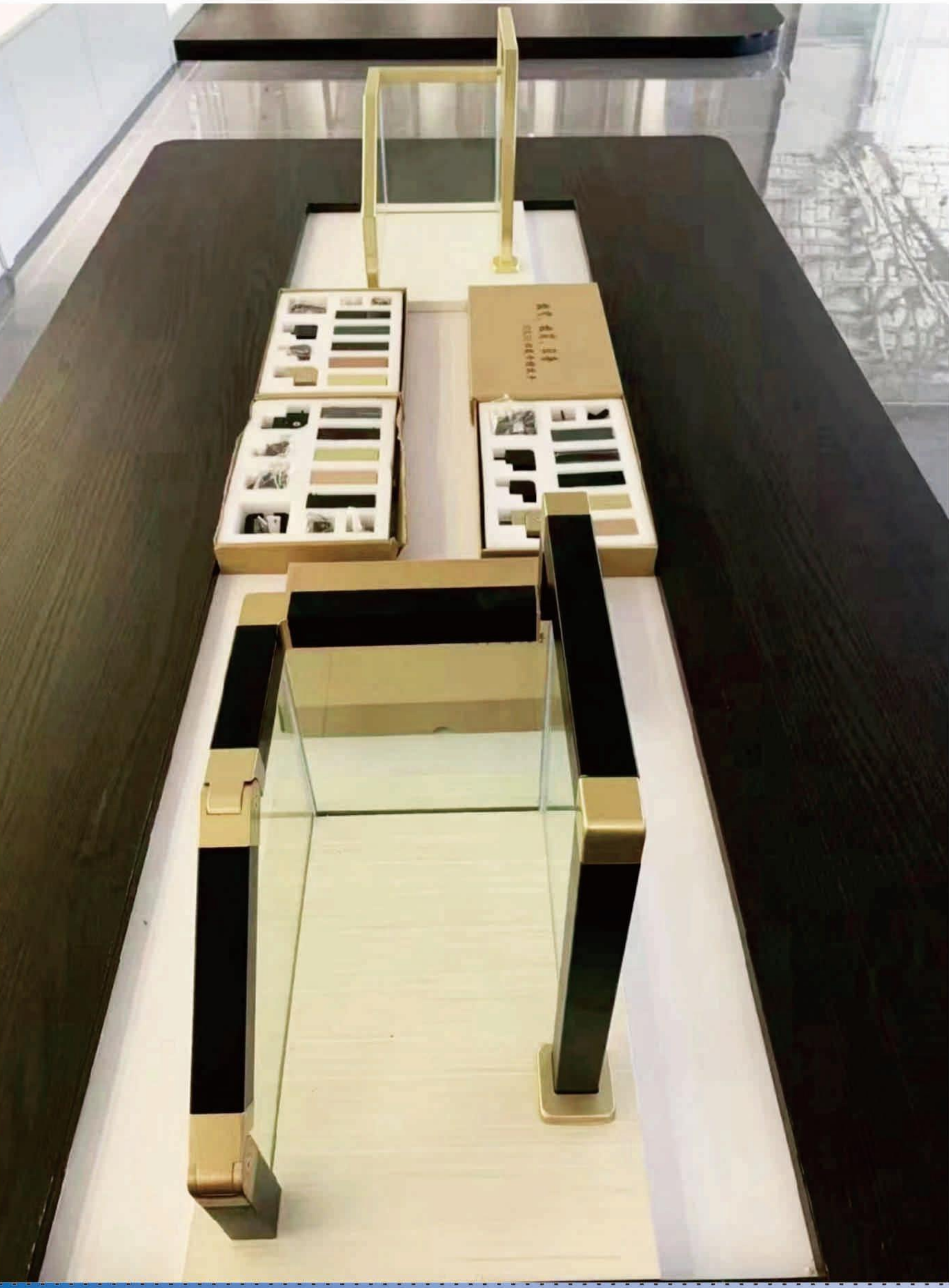


TECHNICAL DATE

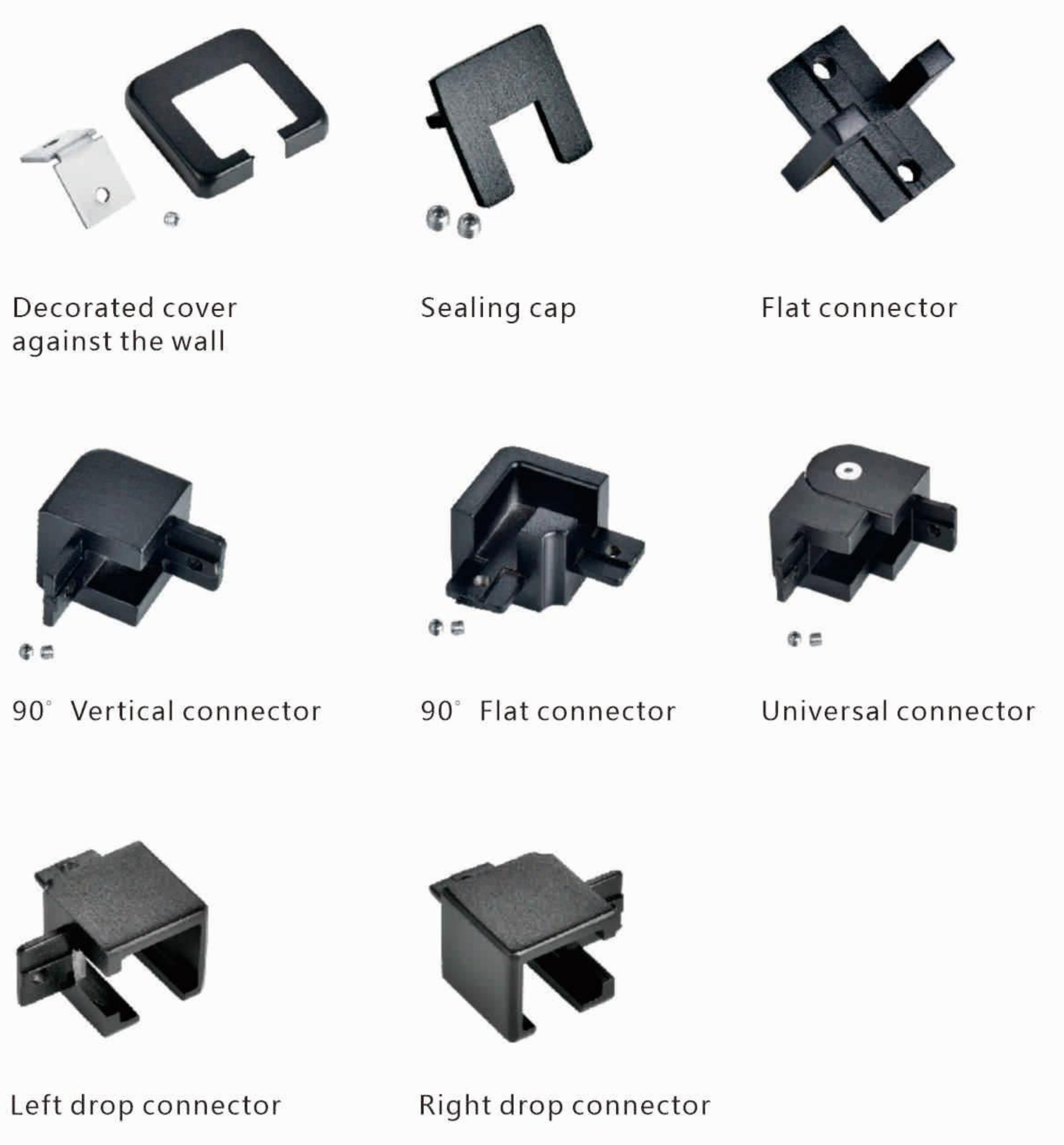


- Material: Aluminum
- Finished: Anodized/Coating
- Thickness: 1.1MM
- Length: 4 Meters
- Glass Thickness: 10-12MM
- It can install tape lights

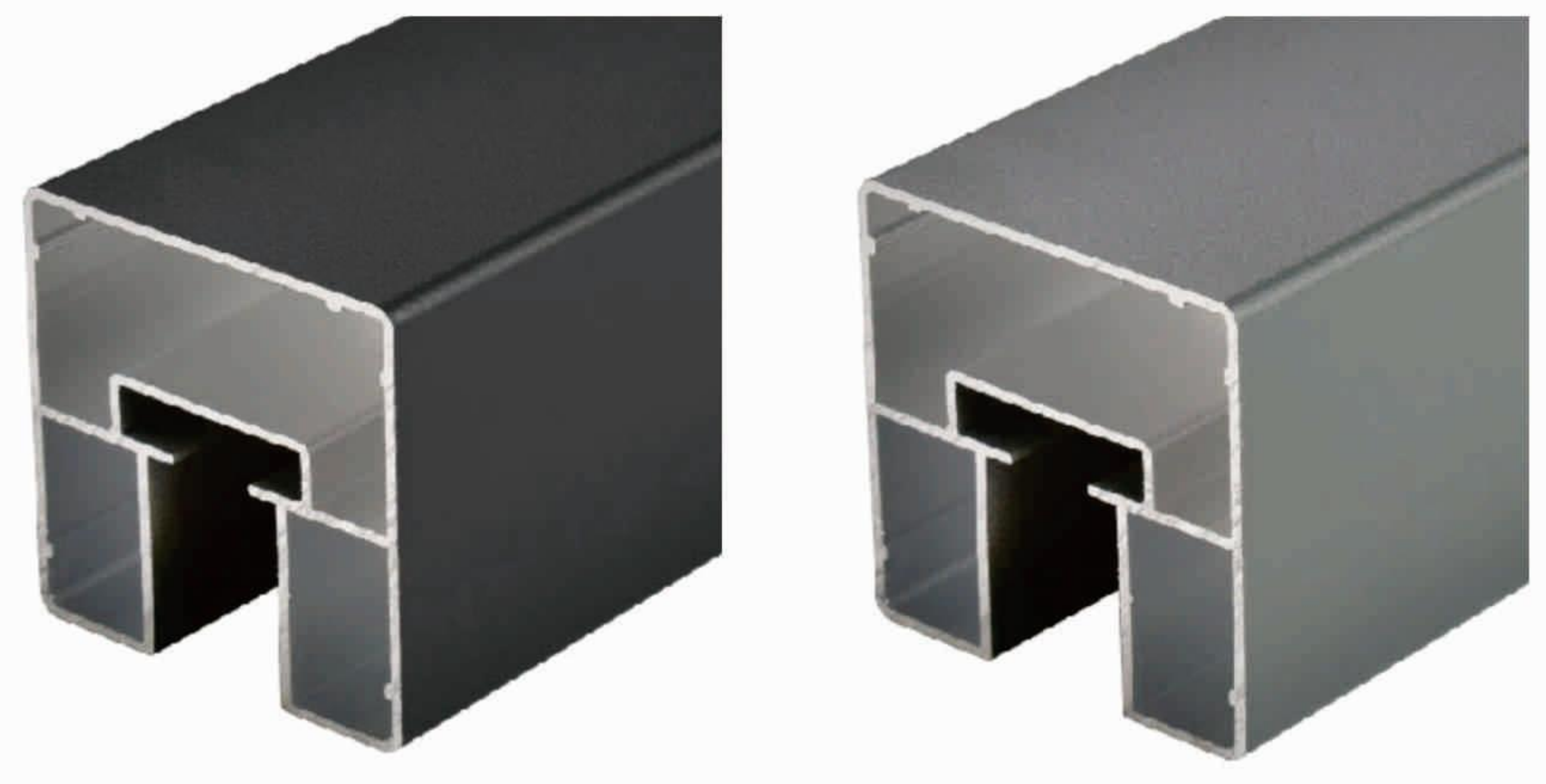
APPLICATION



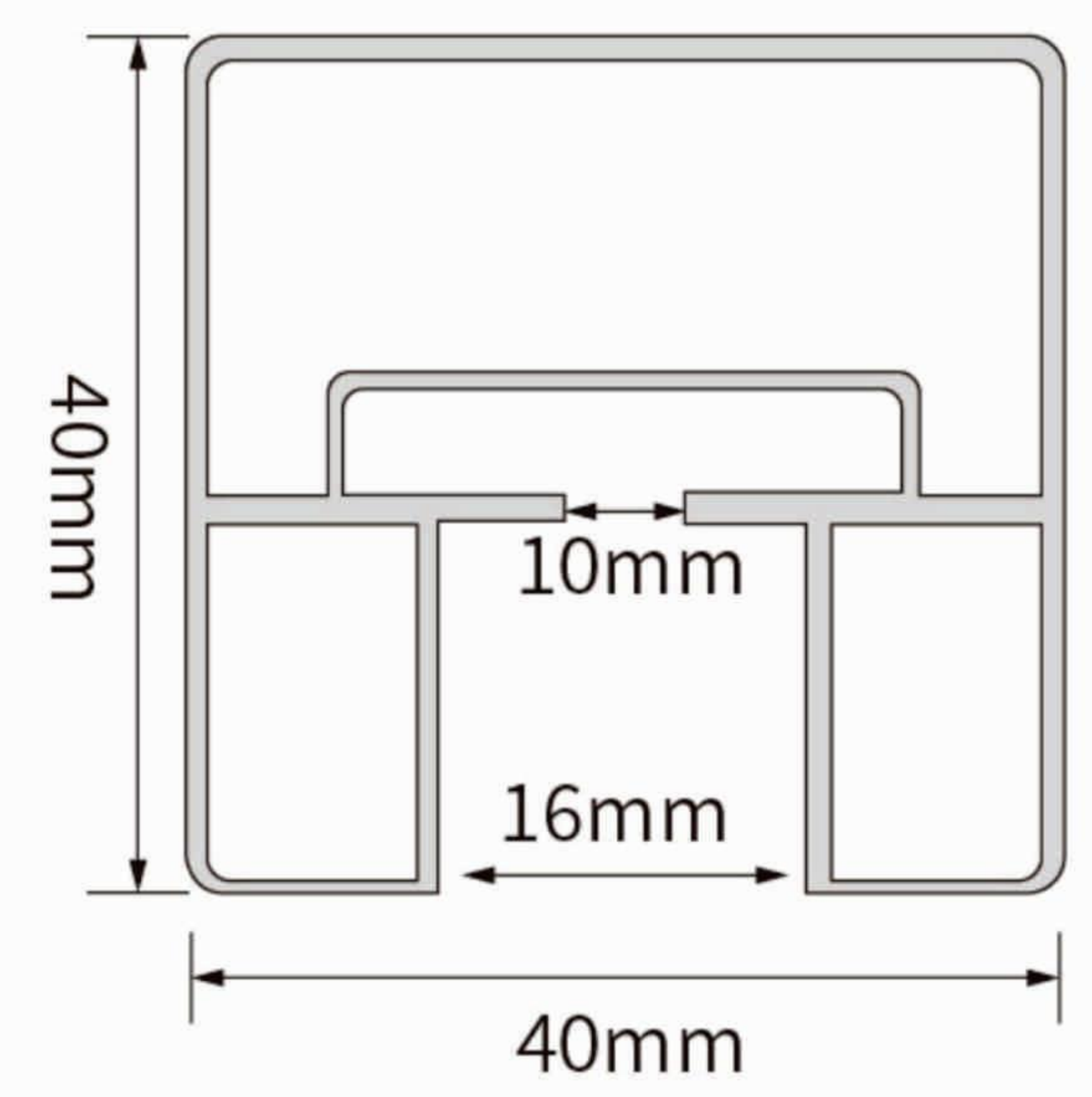
ACCESSORY SELECTION



UT-40



TECHNICAL DATE



- Material: Aluminum
- Color: Customized
- Finished: Anodized
- Thickness: 1.1MM
- Length: 4 Meters
- Glass Thickness: 10-12MM
- It can install tape lights

APPLICATION



ACCESSORY SELECTION

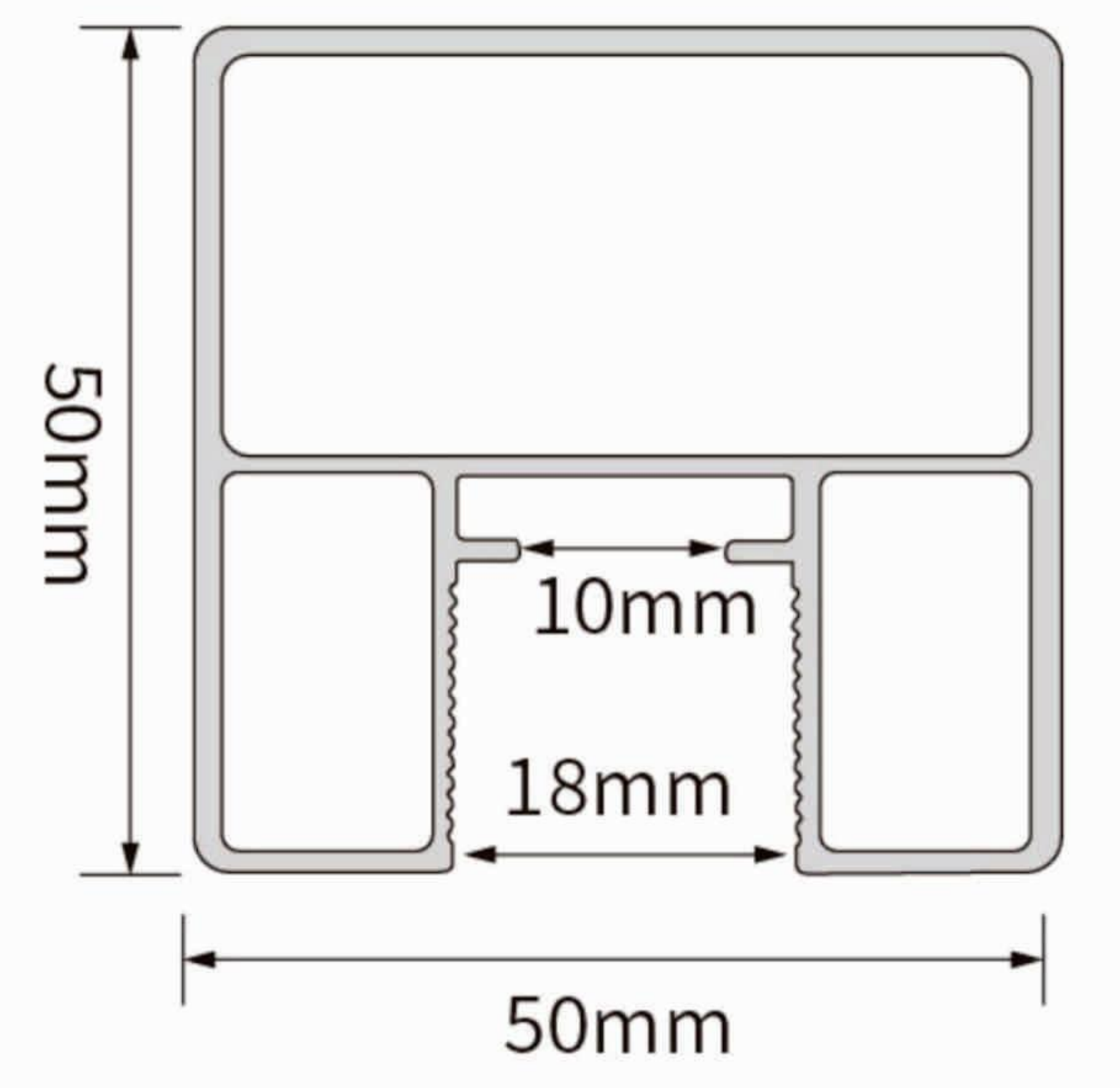


UT-50



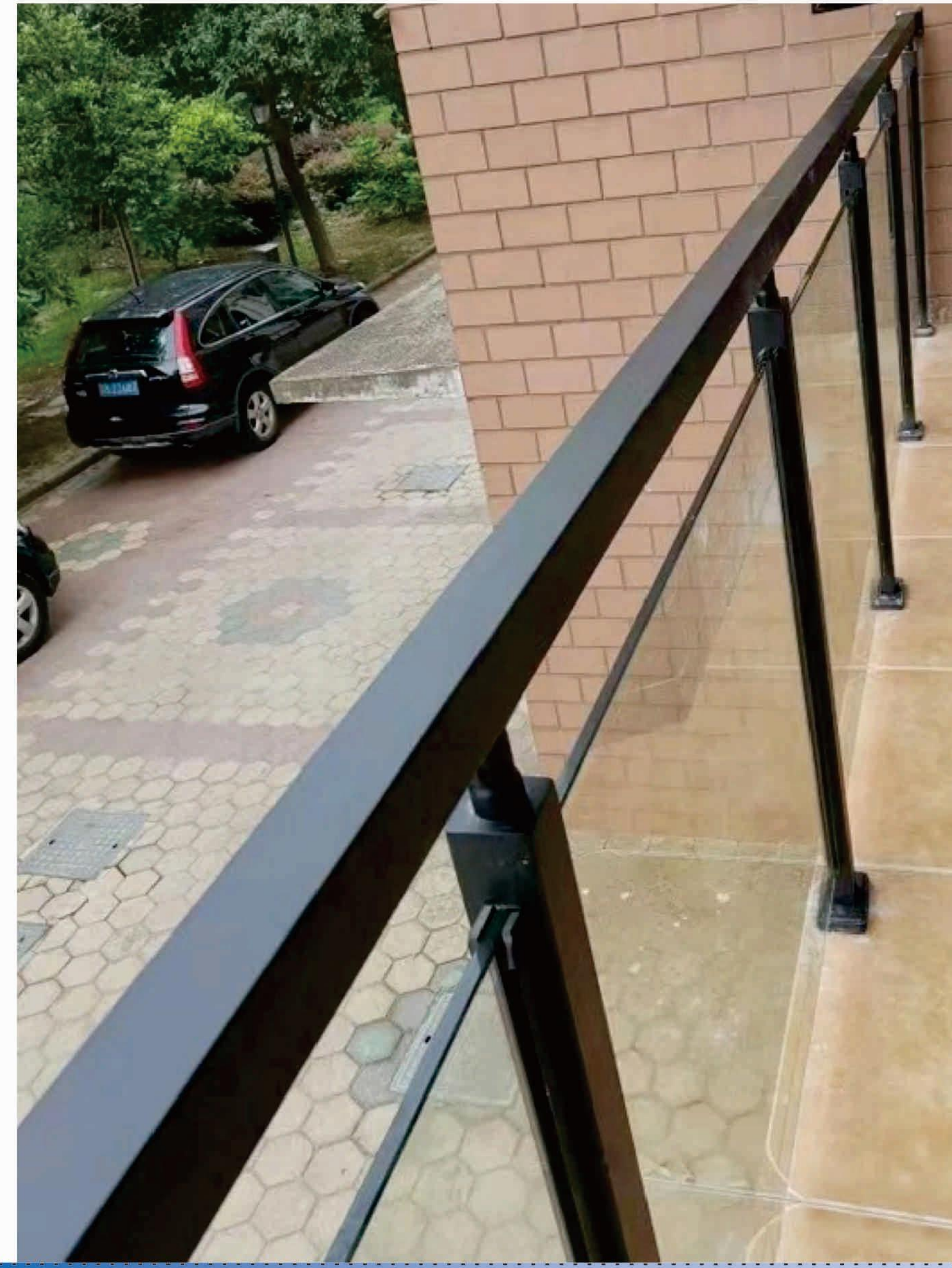
- SS BLACK
- SS GOLDEN
- SS ROSE GOLD
- SS gun grey
- SS SILVER
- GOLDEN MAT
- WHITE MAT
- GREY MAT
- BROWN MAT
- BLACK MAT

TECHNICAL DATE

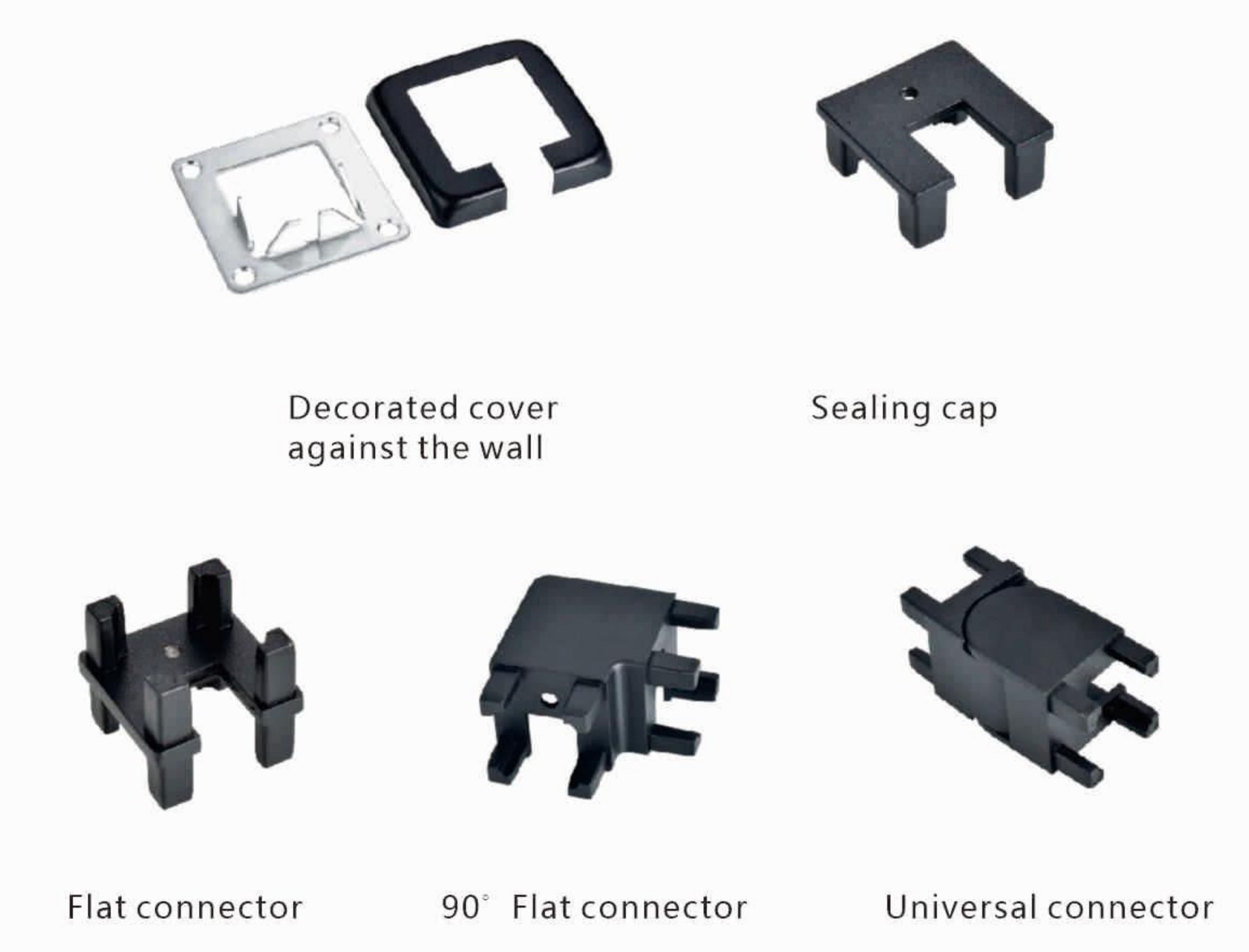


- Material: Aluminum
- Finished: Anodized/Coating
- Thickness: 1.2MM
- Length: 4 Meters
- Glass Thickness: 10-16MM
- It can install tape lights

APPLICATION



ACCESSORY SELECTION



UT-80

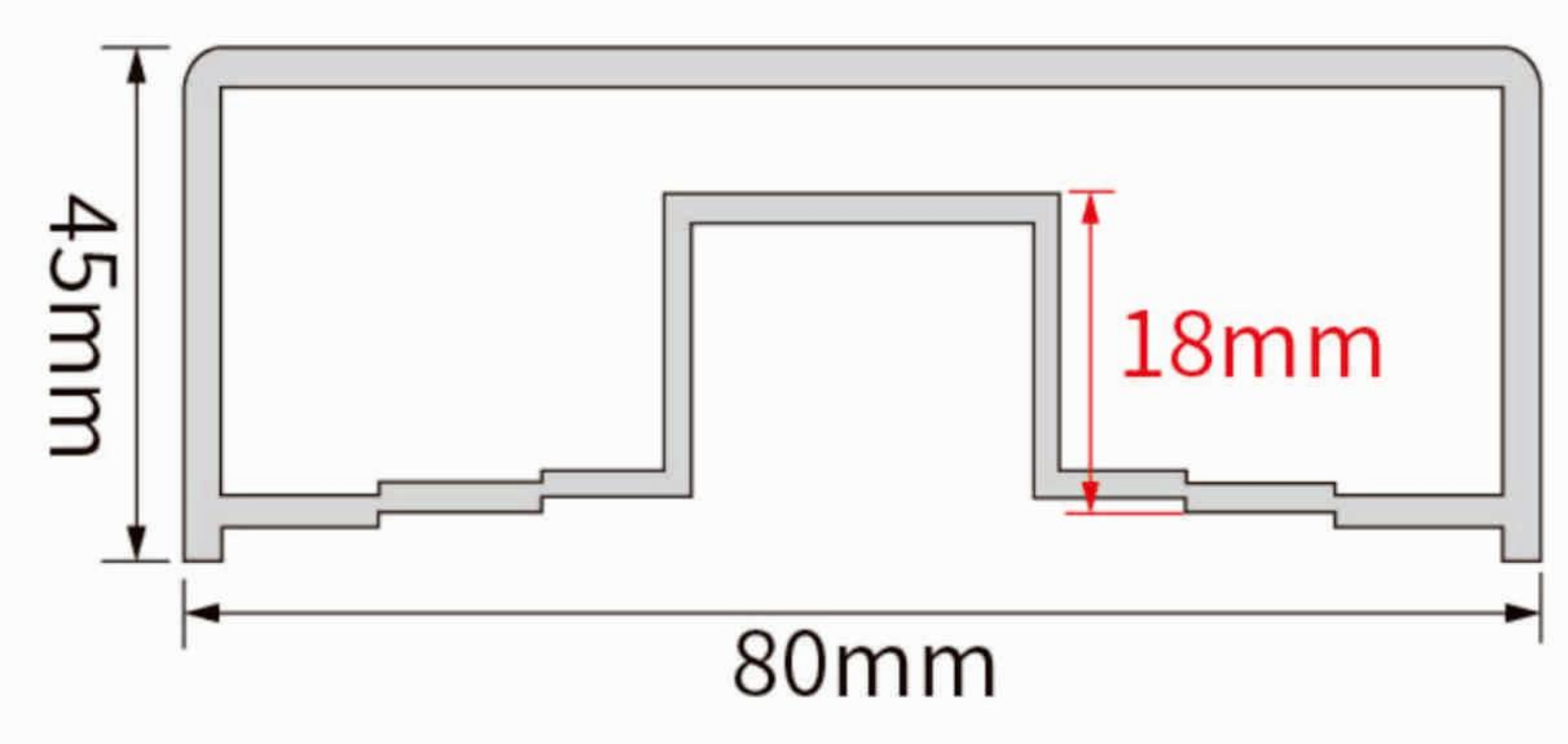


- Material: Aluminum
- Color: Customized
- Finished: Anodized
- Thickness: 2.5MM
- Length: 4 Meters
- Glass Thickness: 10-20MM
- It can't install tape lights



- SS BLACK
- SS GOLDEN
- SS ROSE GOLD
- SS gun grey
- SS SILVER
- GOLDEN MAT
- WHITE MAT
- GREY MAT
- BROWN MAT
- BLACK MAT

TECHNICAL DATE

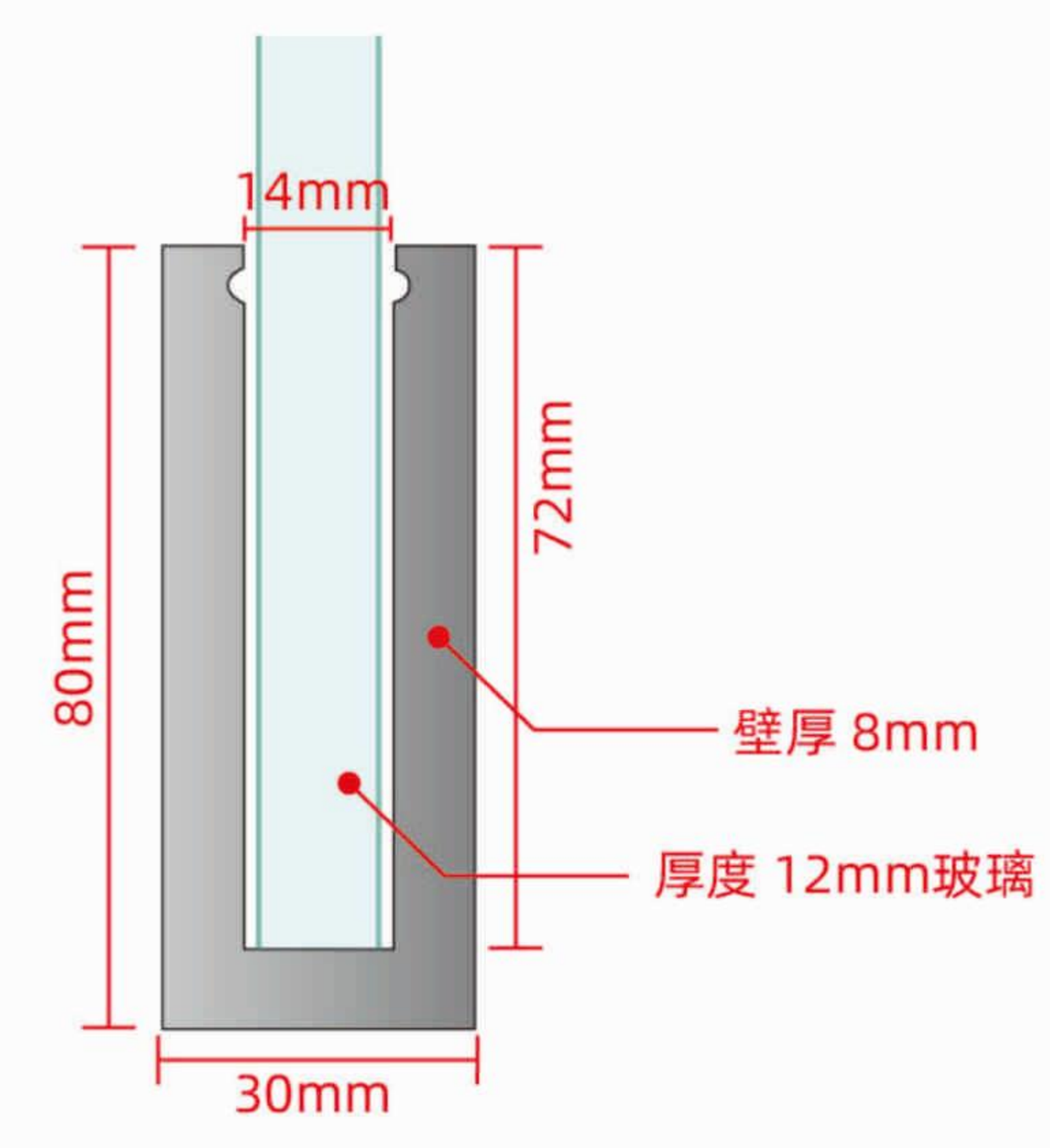


UT-101



TECHNICAL DATE

- Material: Aluminum
- Color: Customized
- Finished: Anodized
- Thickness: 8MM
- Length: 3.5 Meters
- Glass Thickness: 12MM
- It can install tape lights



ACCESSORY

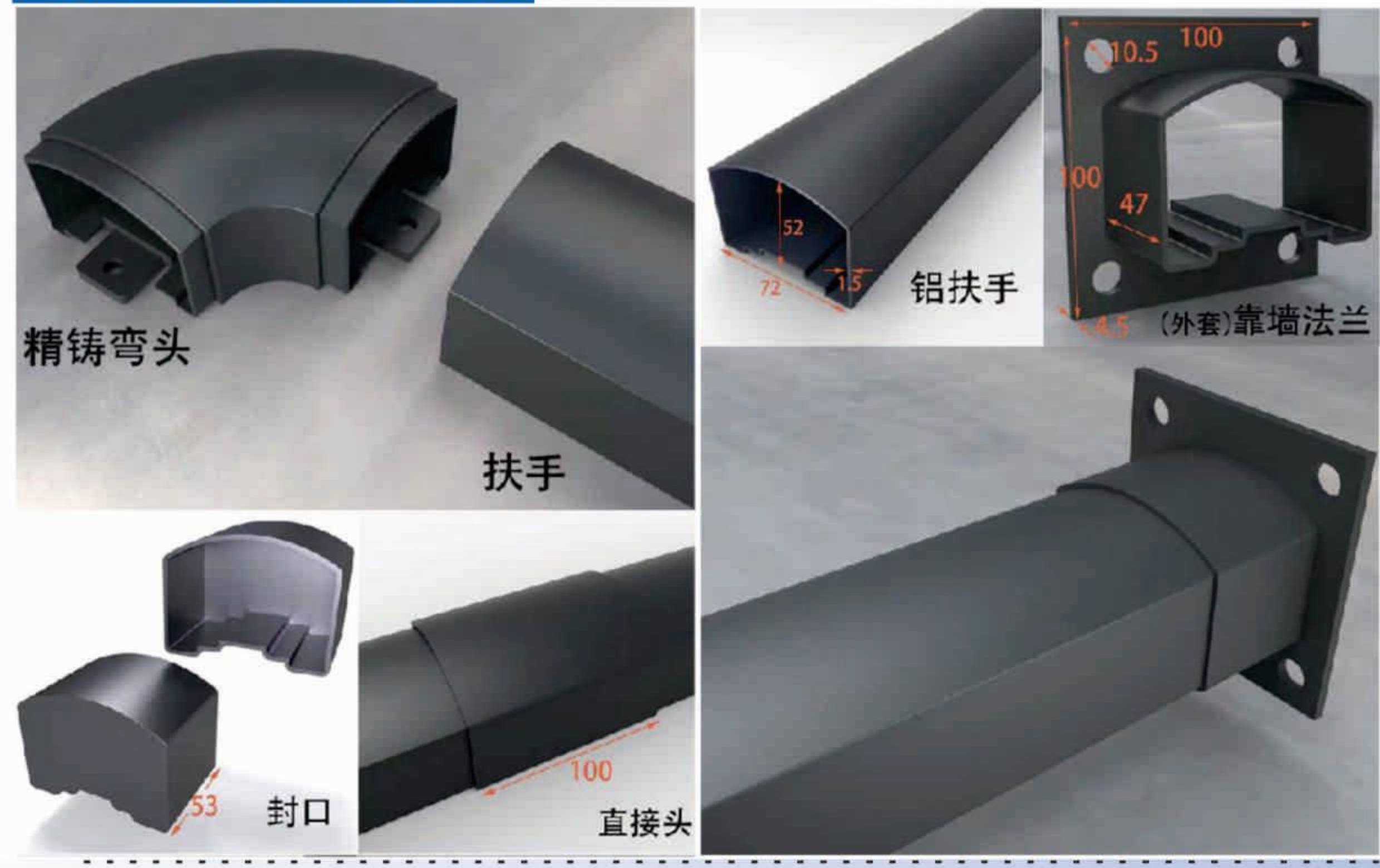


UT-72

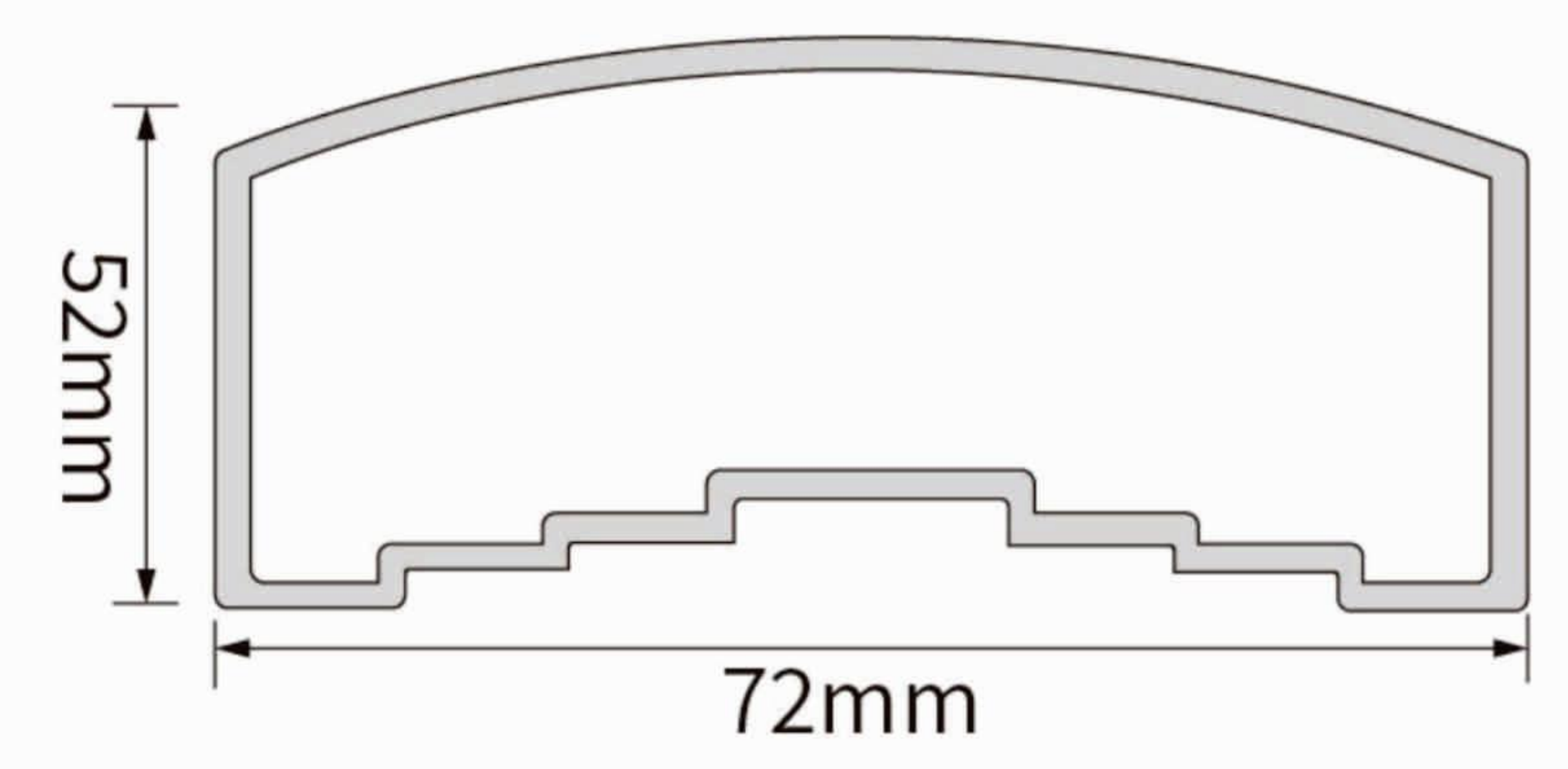


- Material: Aluminum
- Color: Customized
- Finished: Anodized
- Thickness: 1.5MM
- Length: 4 Meters
- Glass Thickness: 10-20MM
- It can't install tape lights

APPLICATION



TECHNICAL DATE

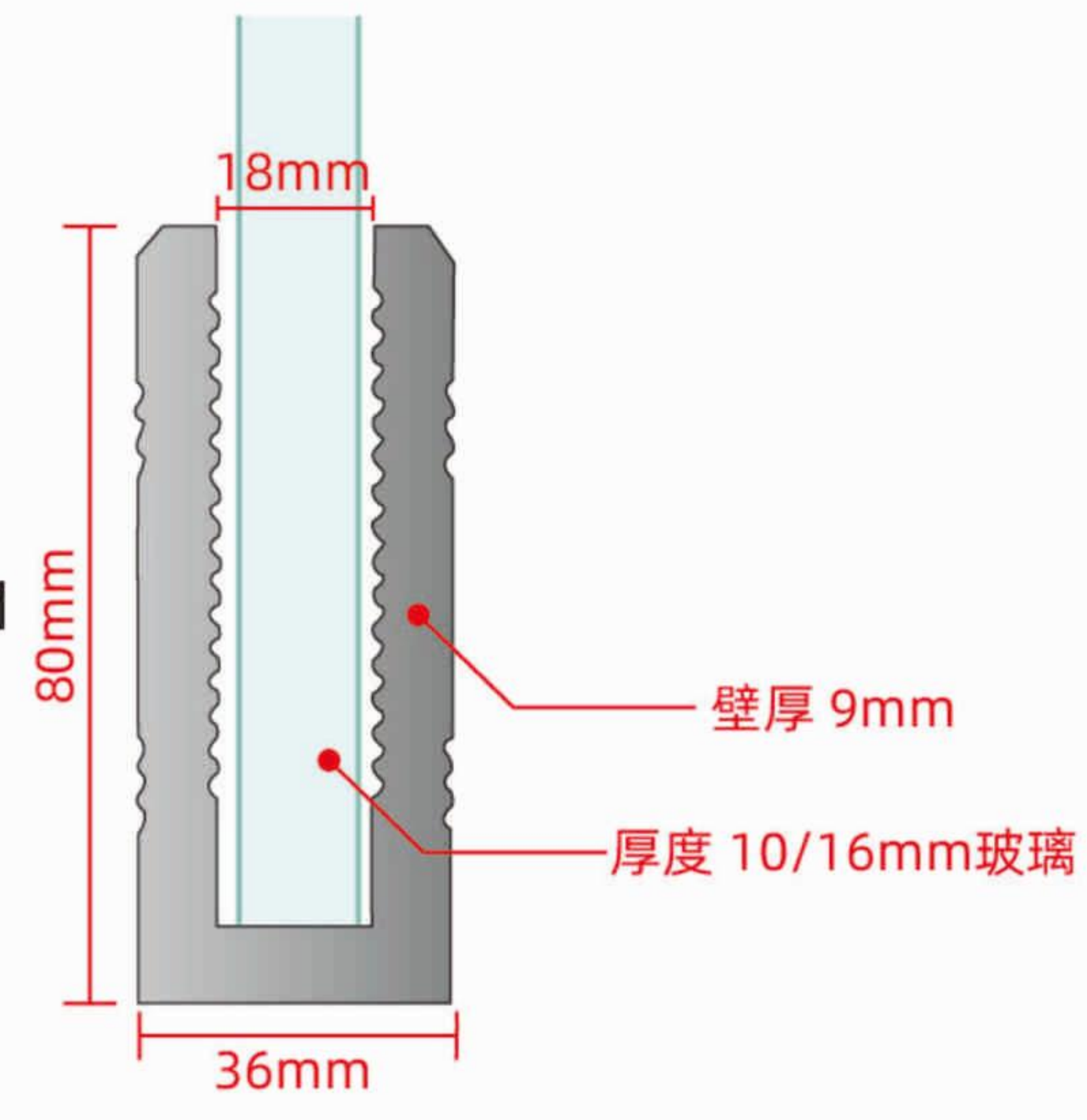


UT-102



TECHNICAL DATE

- Material: Aluminum
- Color: Customized
- Finished: Anodized
- Thickness: 9MM
- Length: 3.5 Meters
- Glass Thickness: 10-16MM
- It can install tape lights



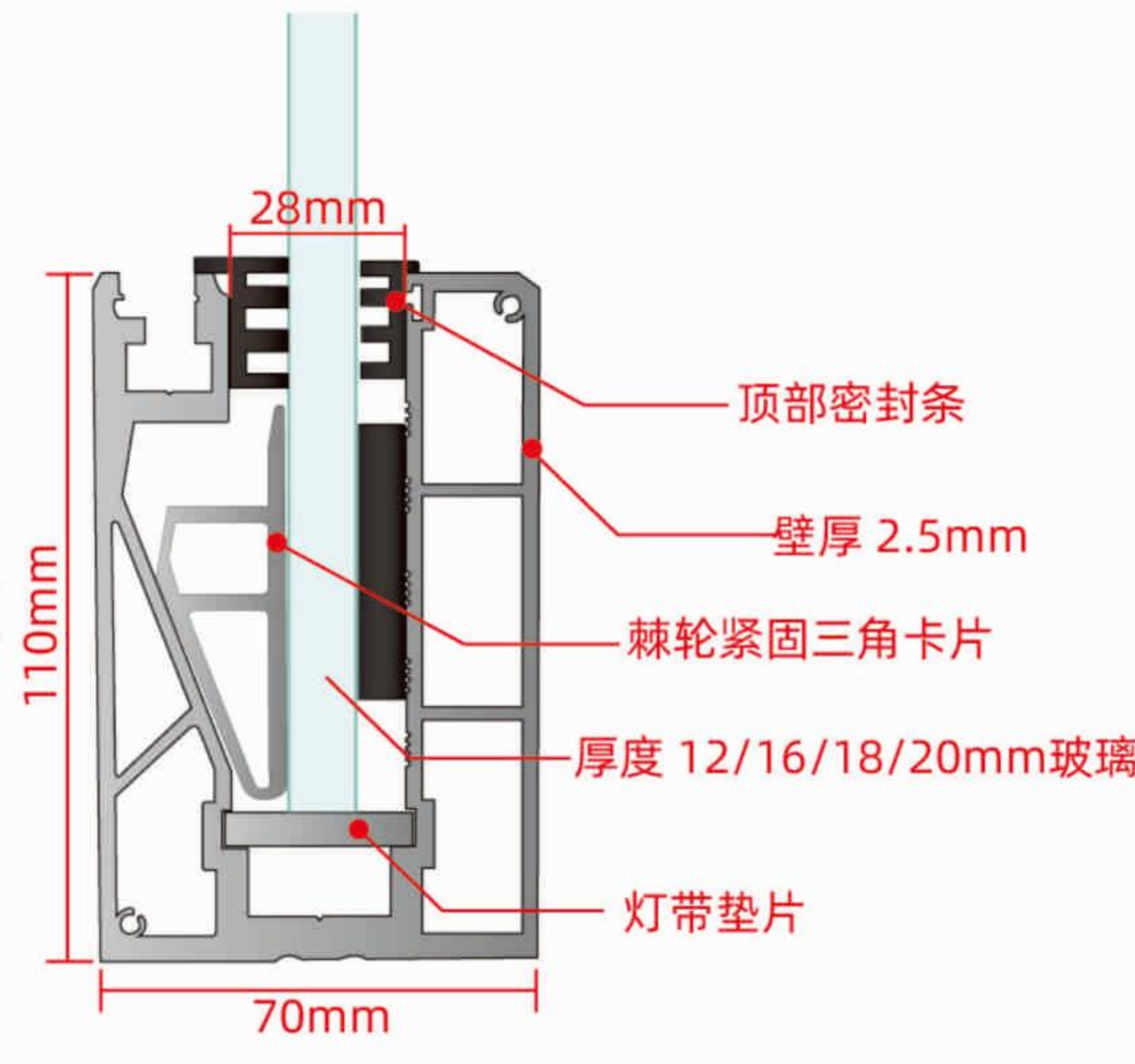
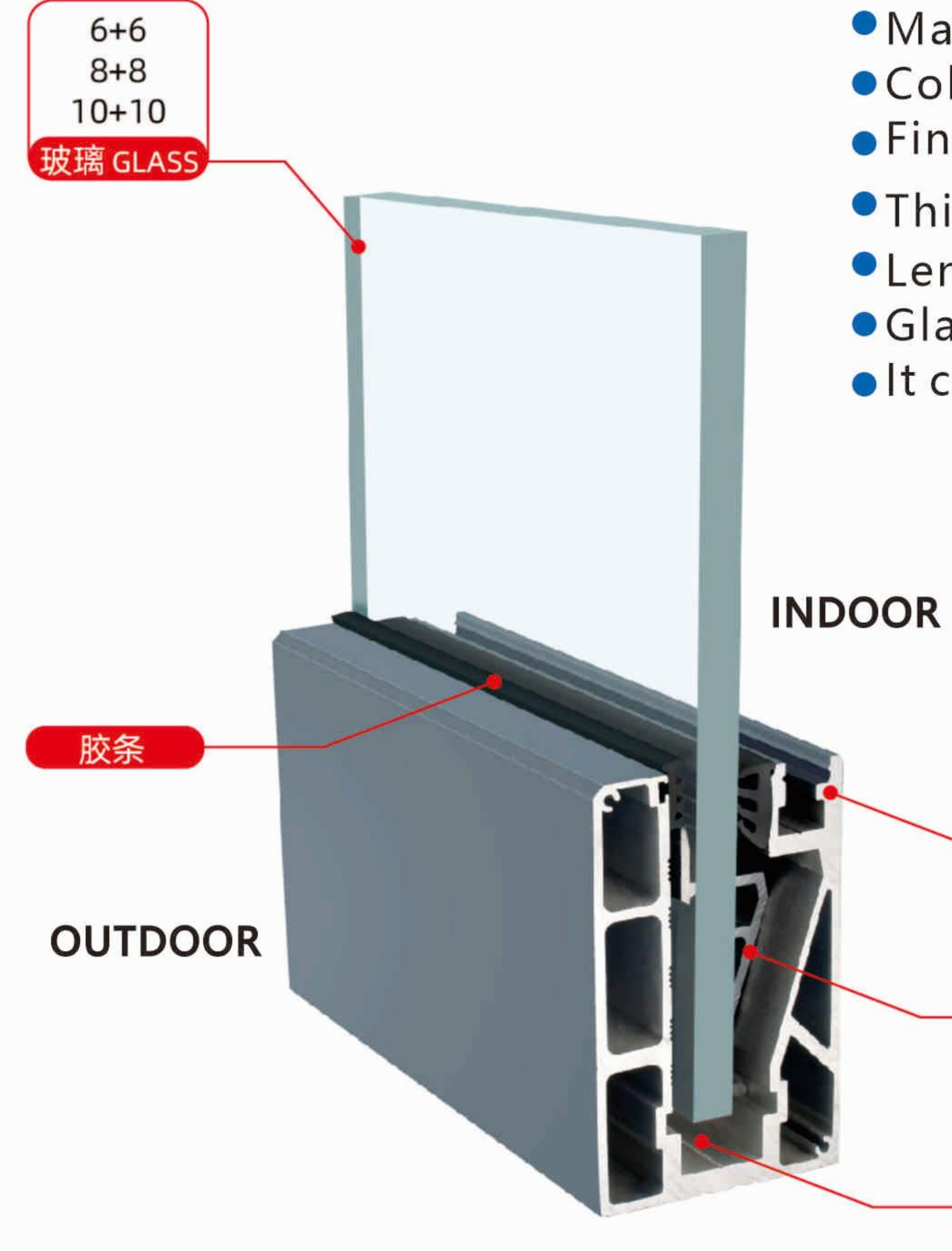
ACCESSORY



UT-103

TECHNICAL DATE

- Material: Aluminum
- Color: Customized
- Finished: Anodized
- Thickness: 2.5MM
- Length: 3 Meters
- Glass Thickness: 12/16/18/20MM
- It can install tape lights



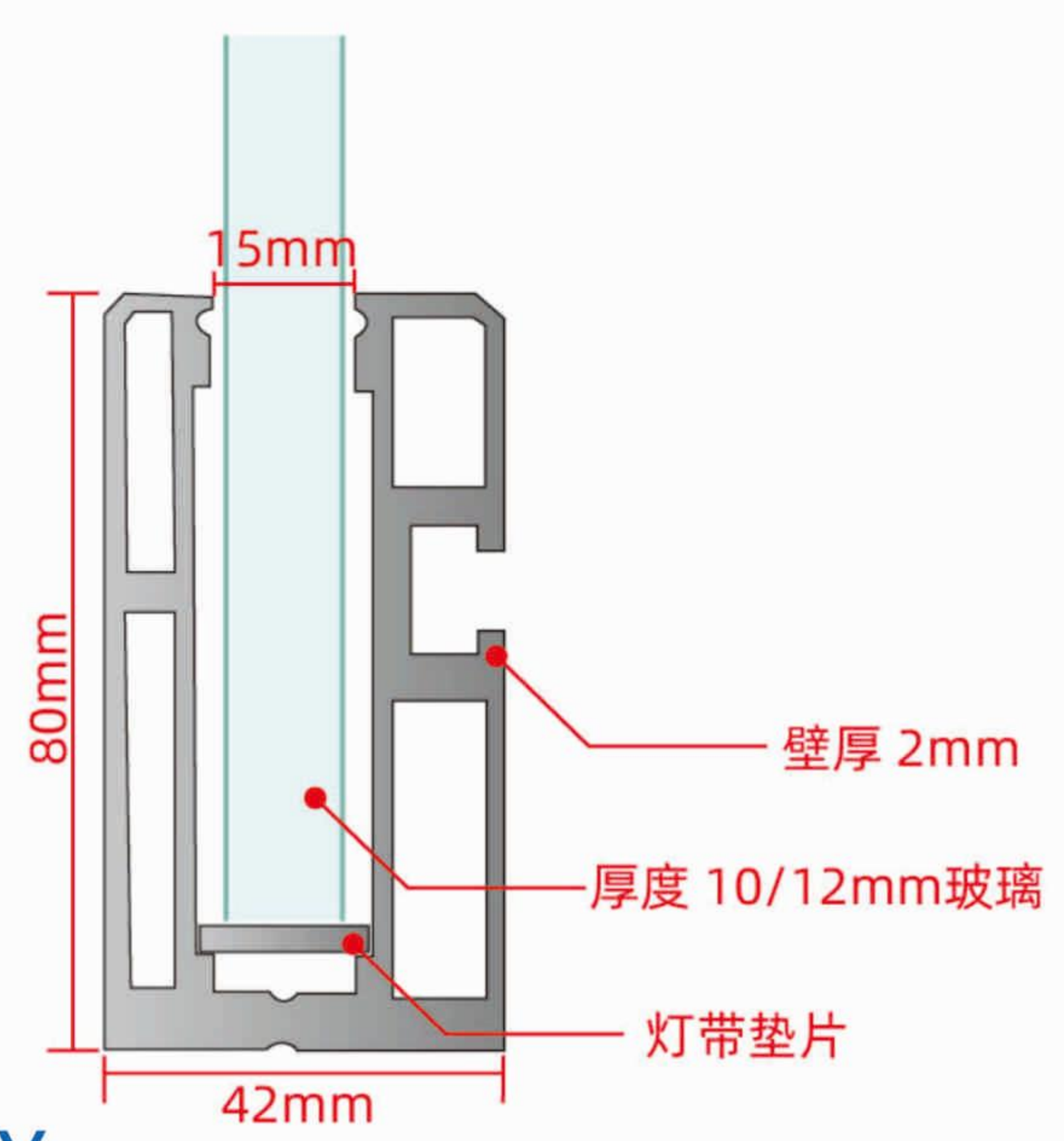
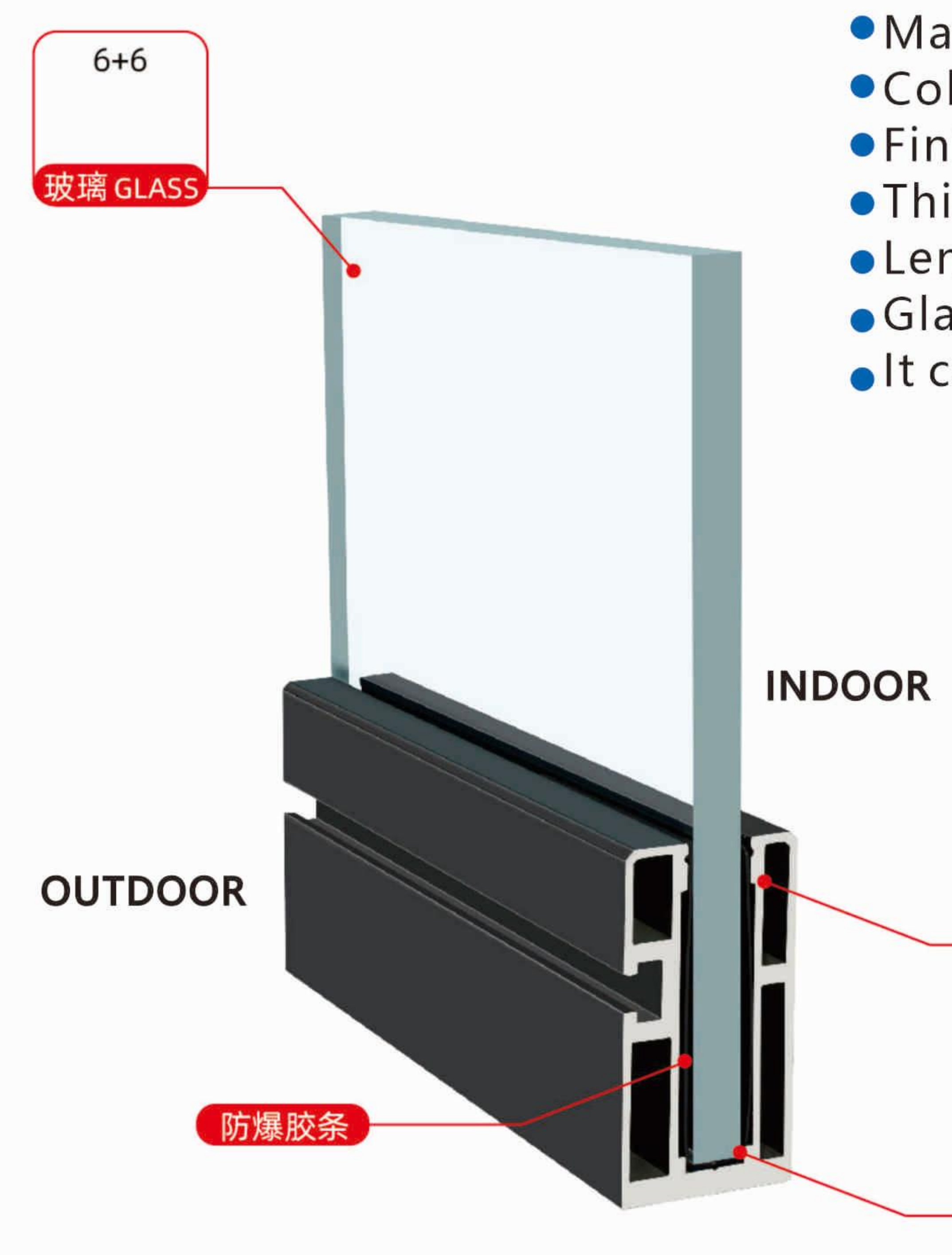
ACCESSORY



UT-105

TECHNICAL DATE

- Material: Aluminum
- Color: Customized
- Finished: Anodized
- Thickness: 2.0MM
- Length: 3.5 Meters
- Glass Thickness: 10/12MM
- It can install tape lights



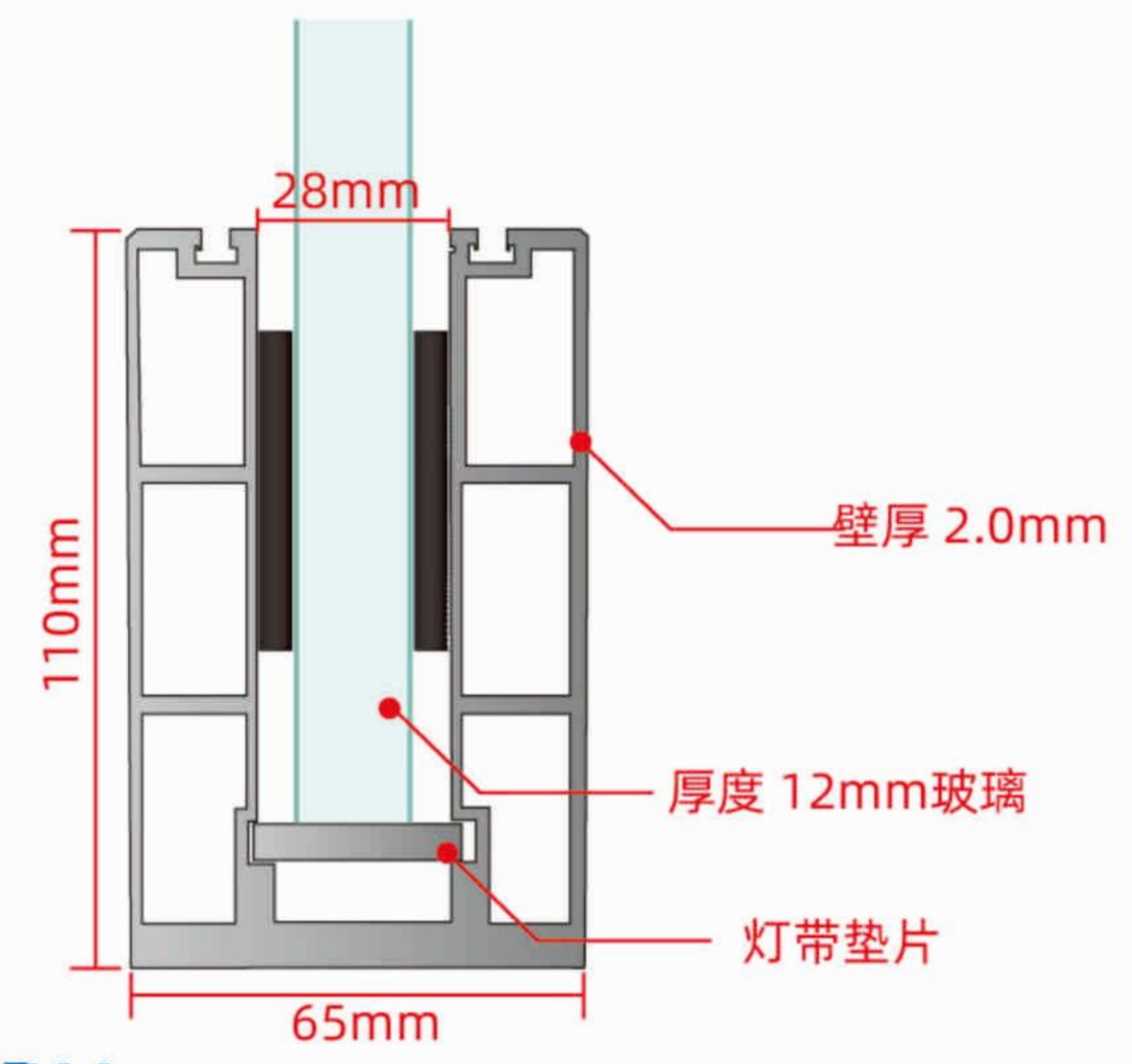
ACCESSORY



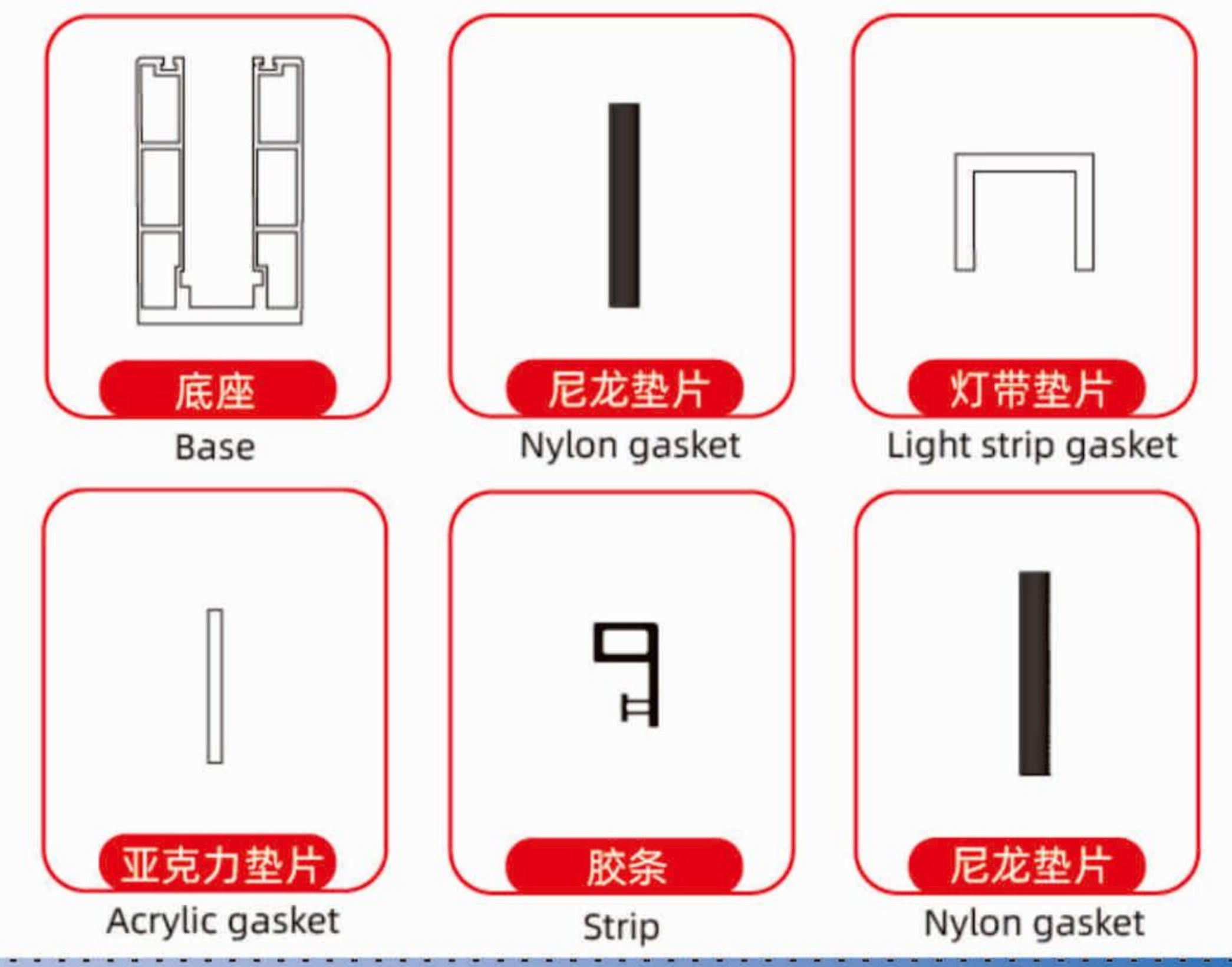
UT-104

TECHNICAL DATE

- Material: Aluminum
- Color: Customized
- Finished: Anodized
- Thickness: 2.0MM
- Length: 3 Meters
- Glass Thickness: 12MM
- It can install tape lights



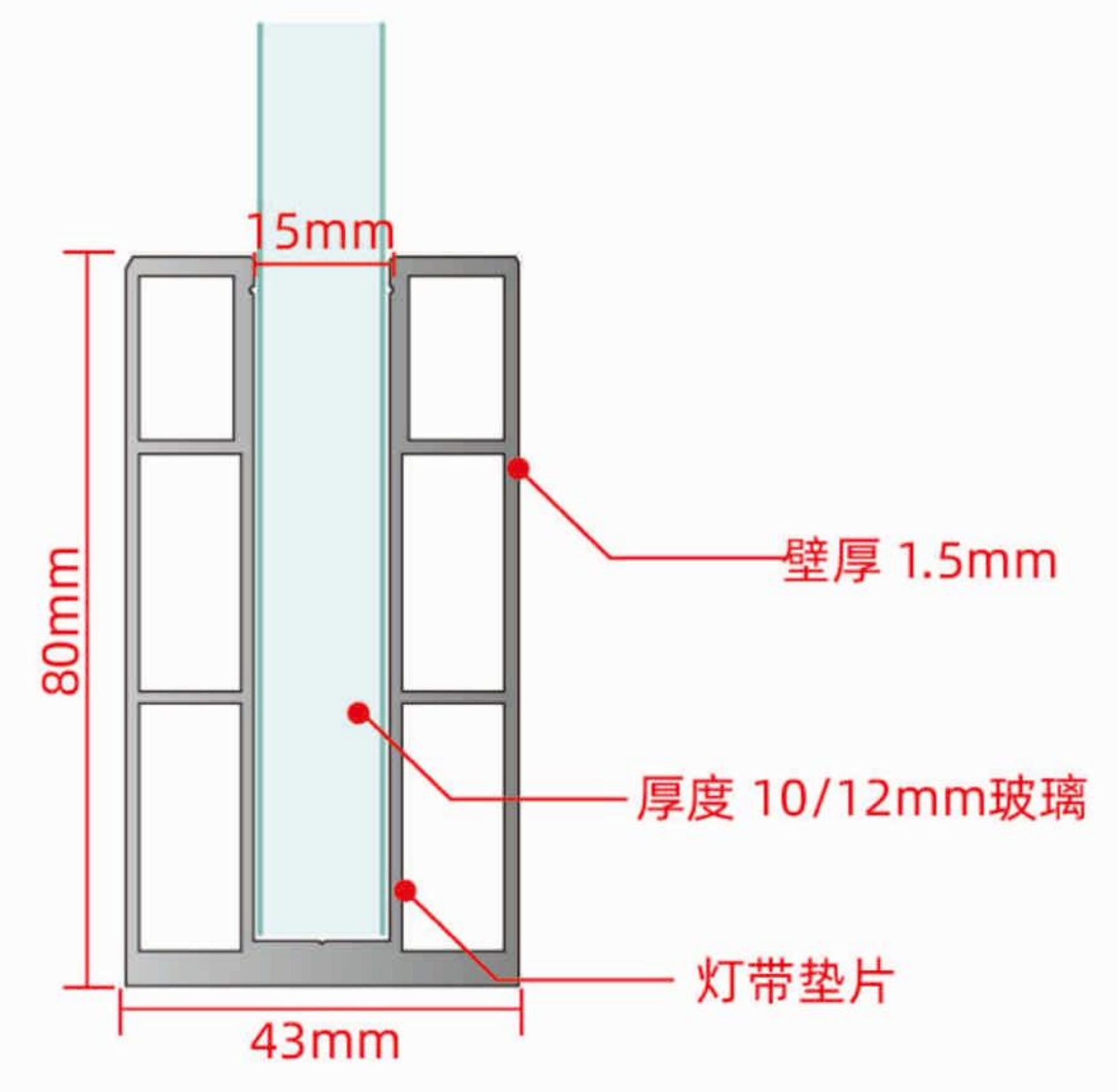
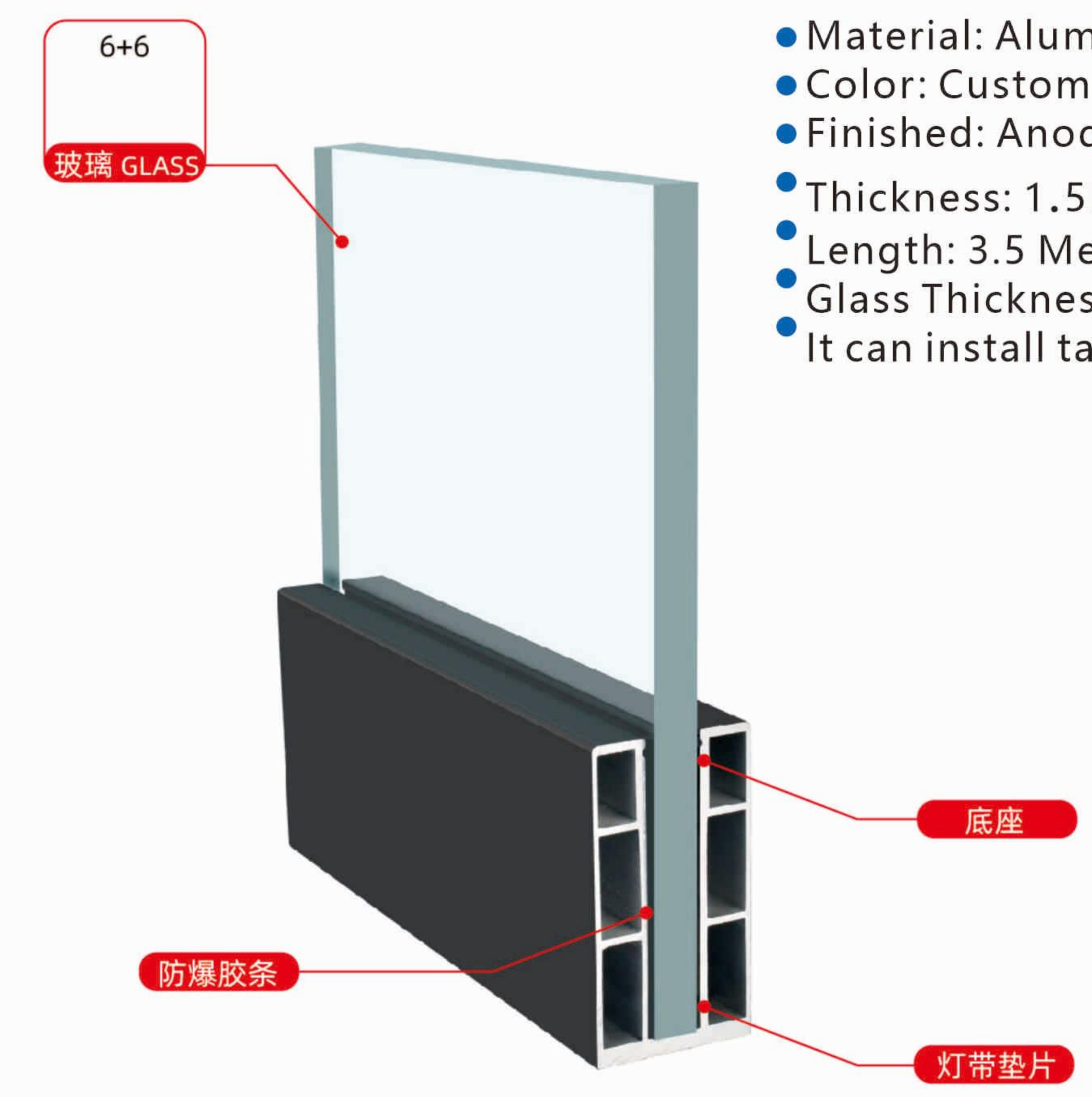
ACCESSORY



UT-106

TECHNICAL DATE

- Material: Aluminum
- Color: Customized
- Finished: Anodized
- Thickness: 1.5MM
- Length: 3.5 Meters
- Glass Thickness: 10/12MM
- It can install tape lights



ACCESSORY

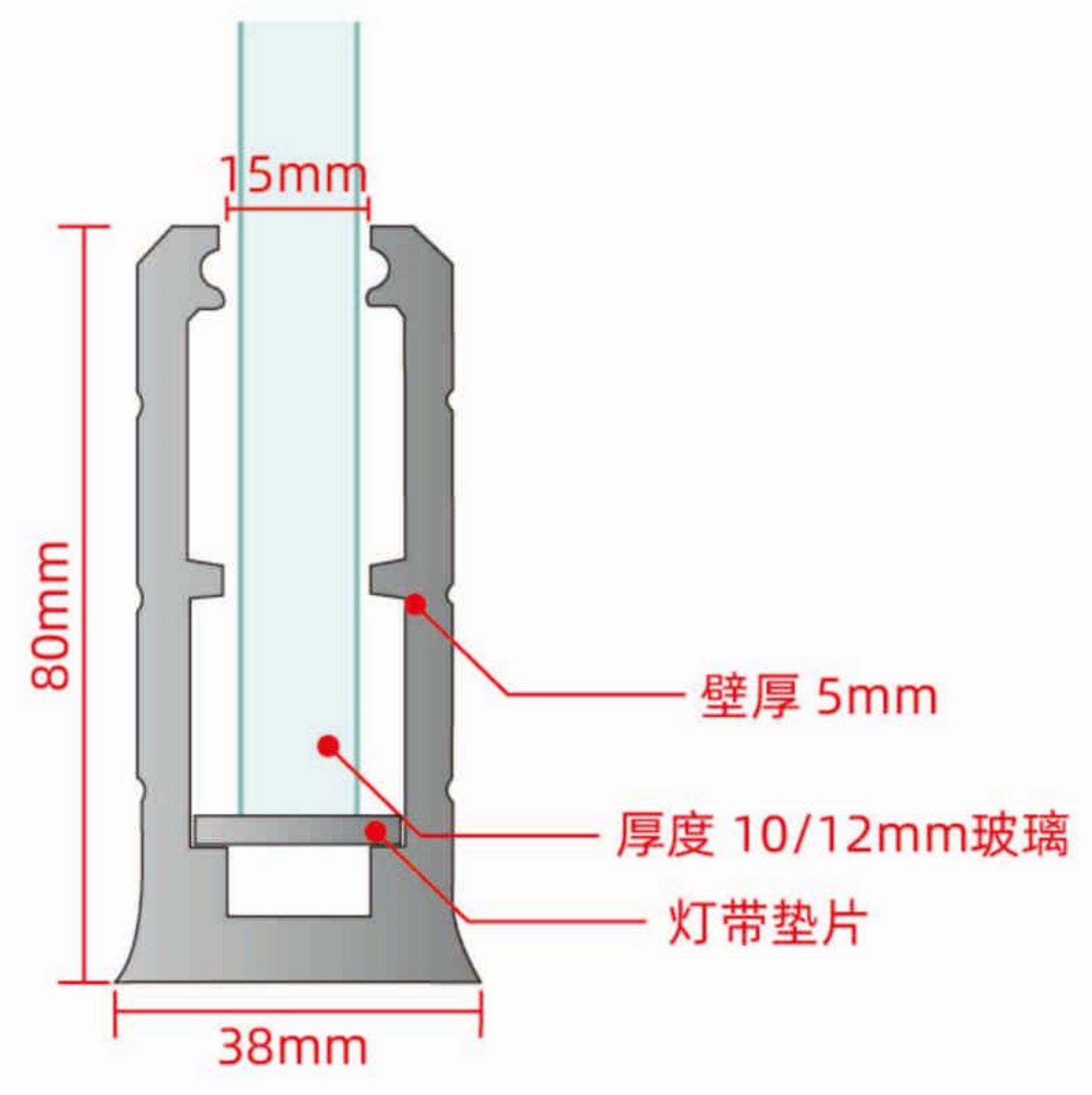


UT-107



TECHNICAL DATE

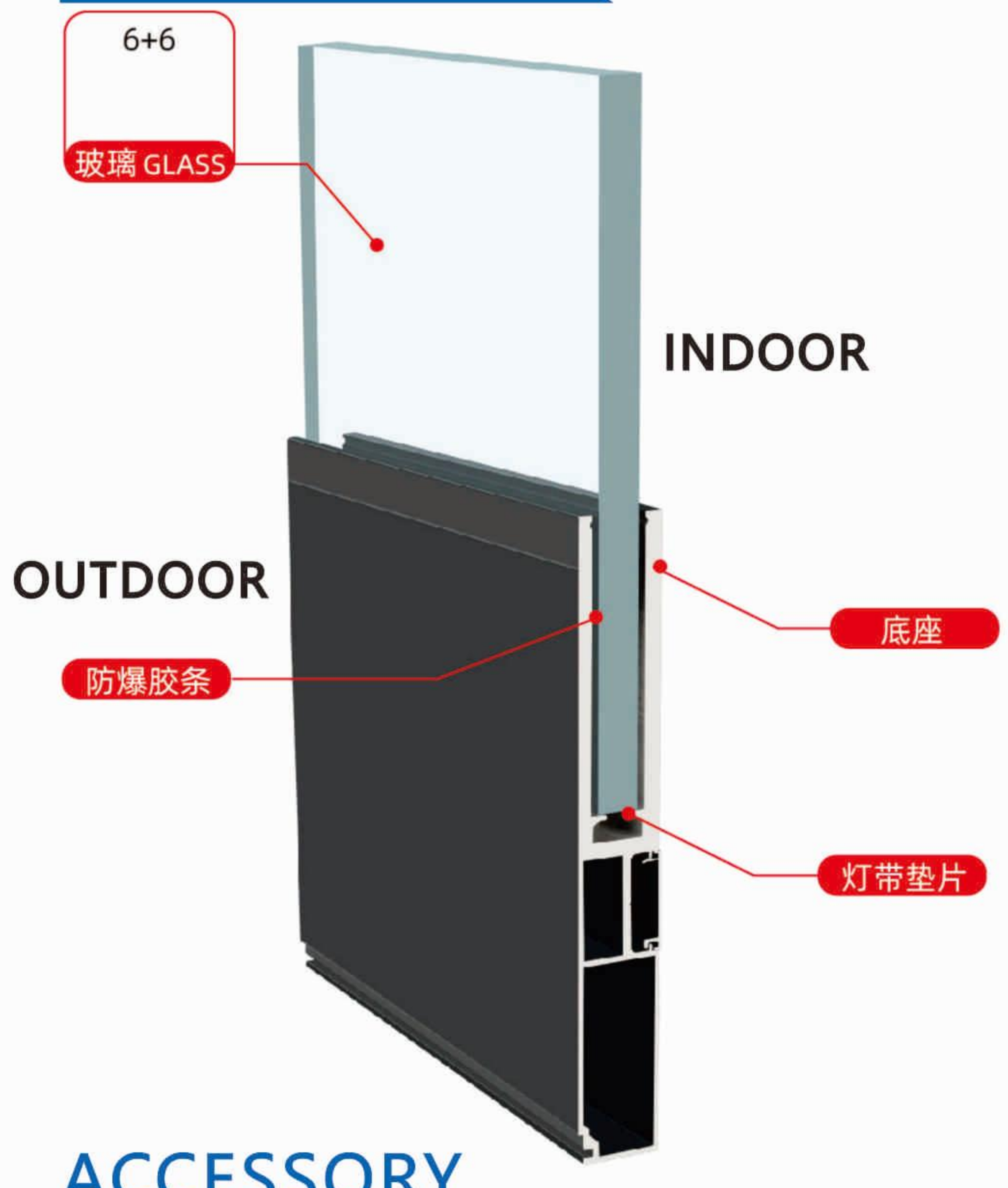
- Material: Aluminum
- Color: Customized
- Finished: Anodized
- Thickness: 5MM
- Length: 3.5 Meters
- Glass Thickness: 10/12MM
- It can install tape lights



ACCESSORY

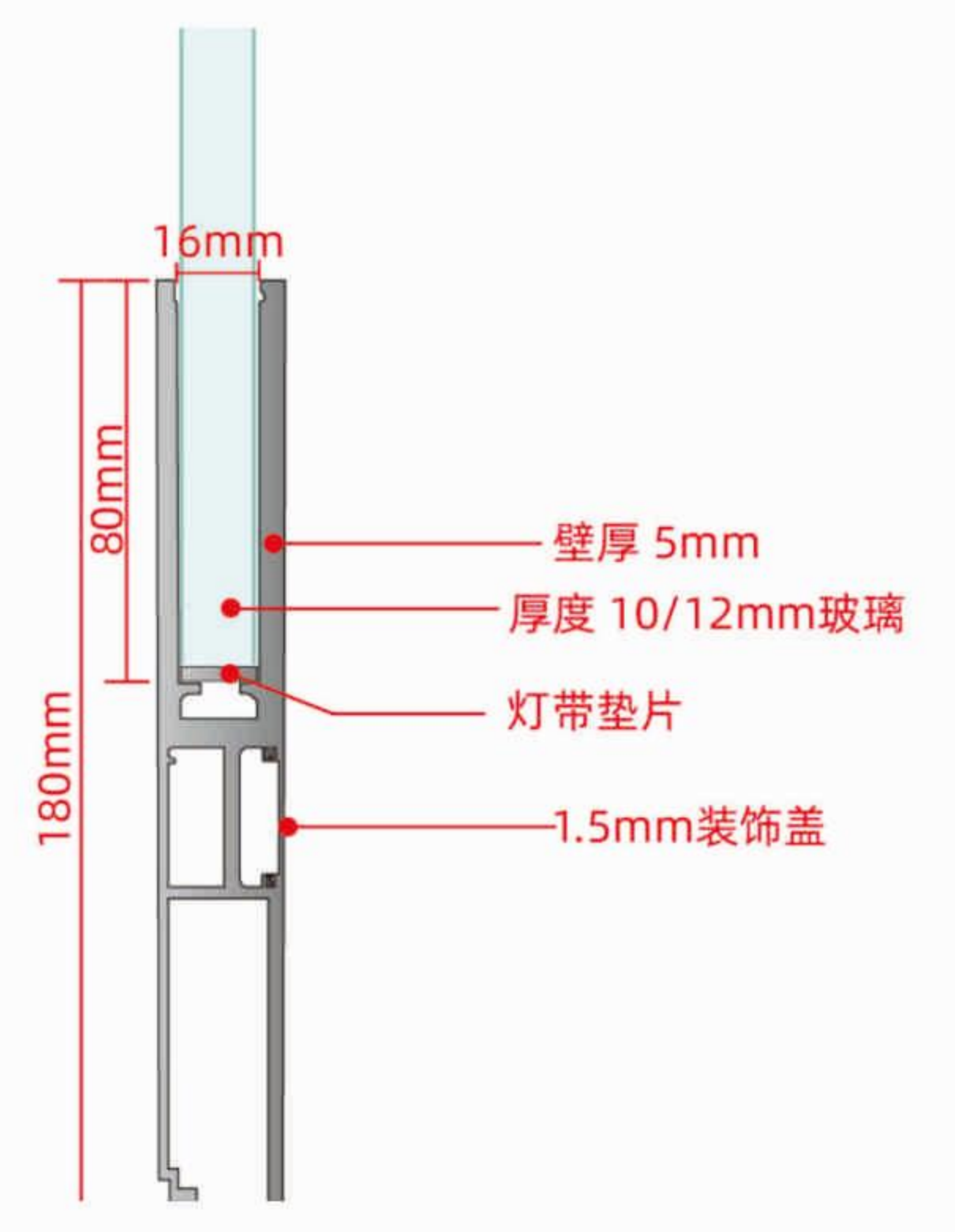


UT-109A

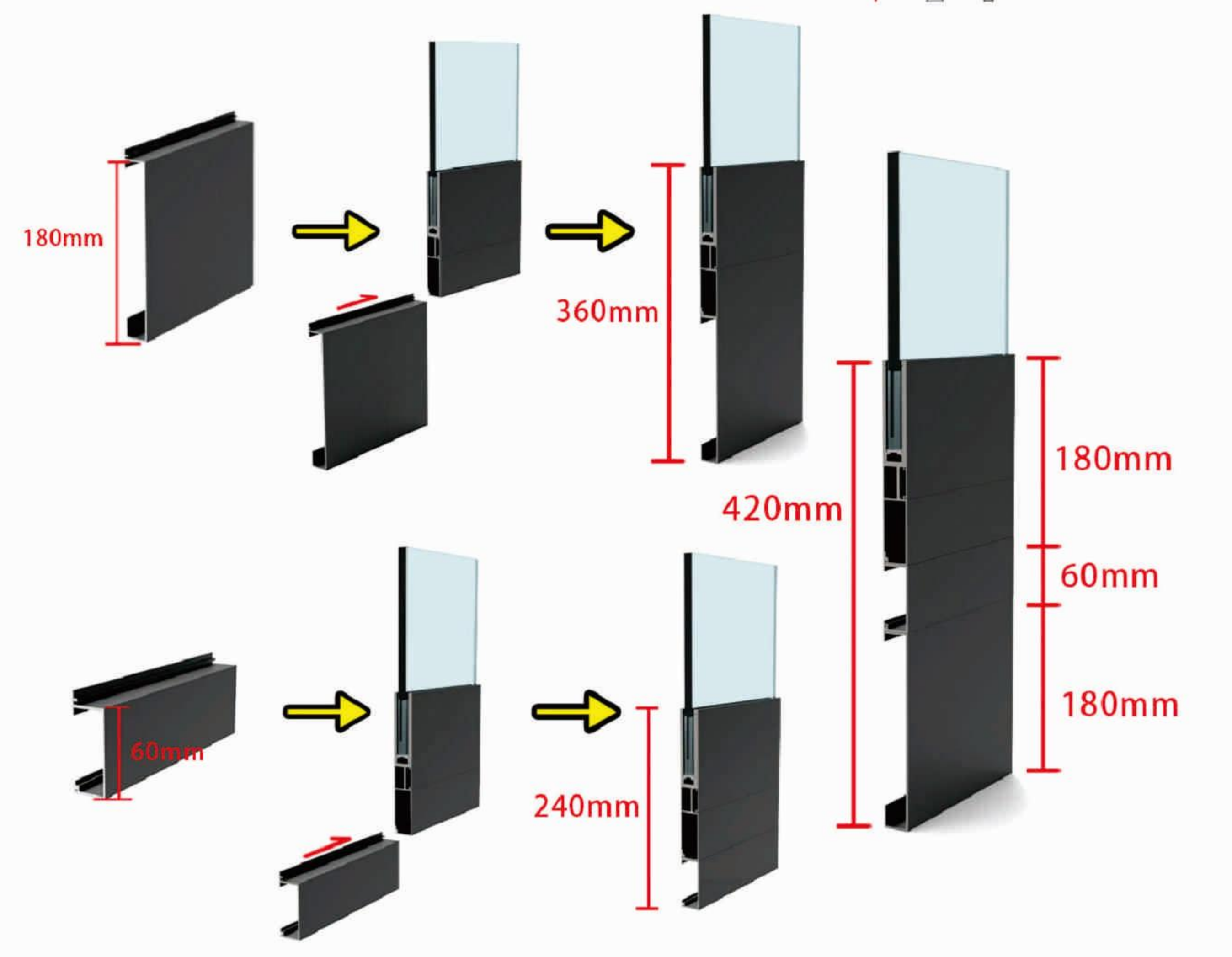


TECHNICAL DATE

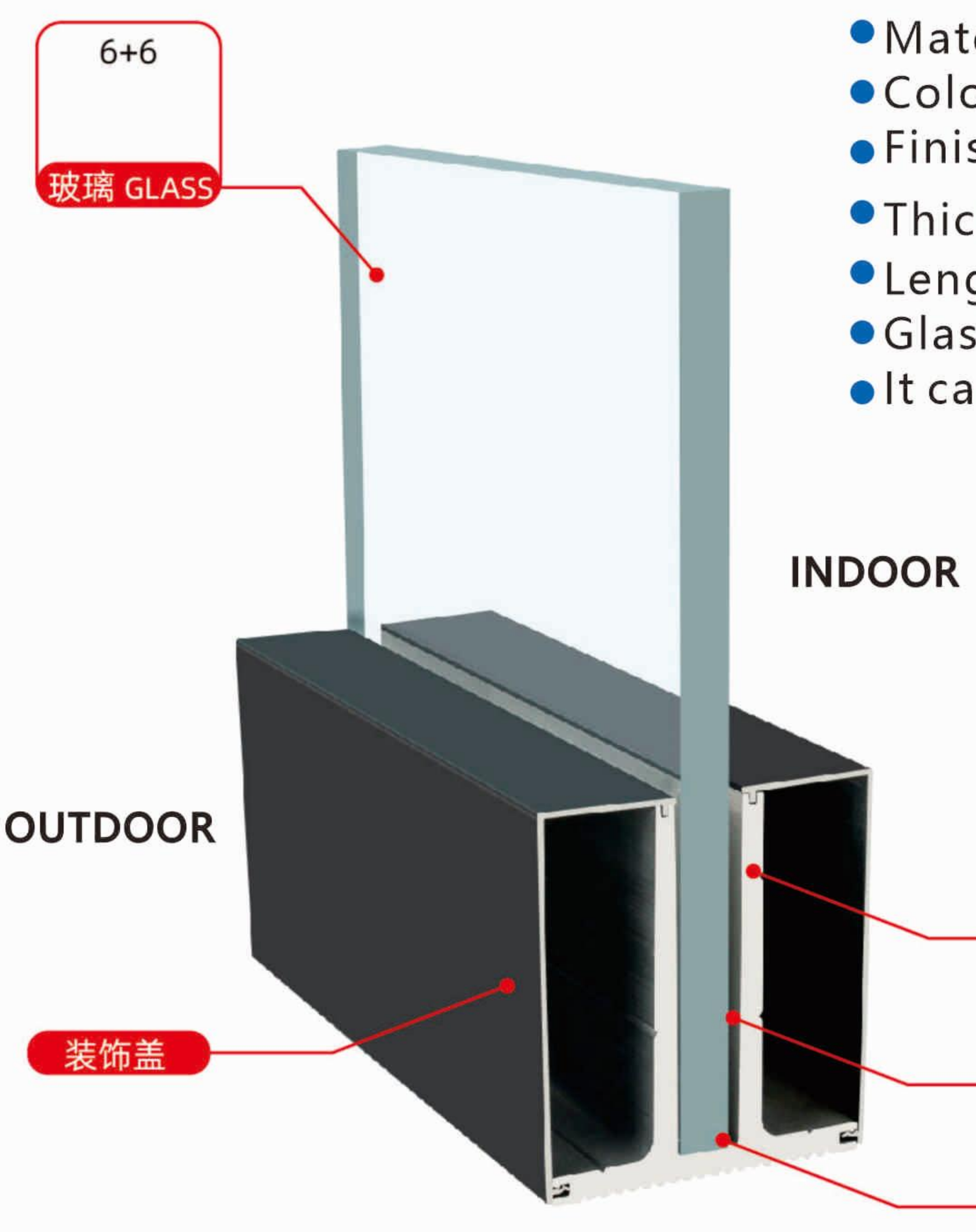
- Material: Aluminum
- Color: Customized
- Finished: Anodized
- Thickness: 5MM
- Length: 3.6 Meters
- Glass Thickness: 10/12MM
- It can install tape lights



ACCESSORY

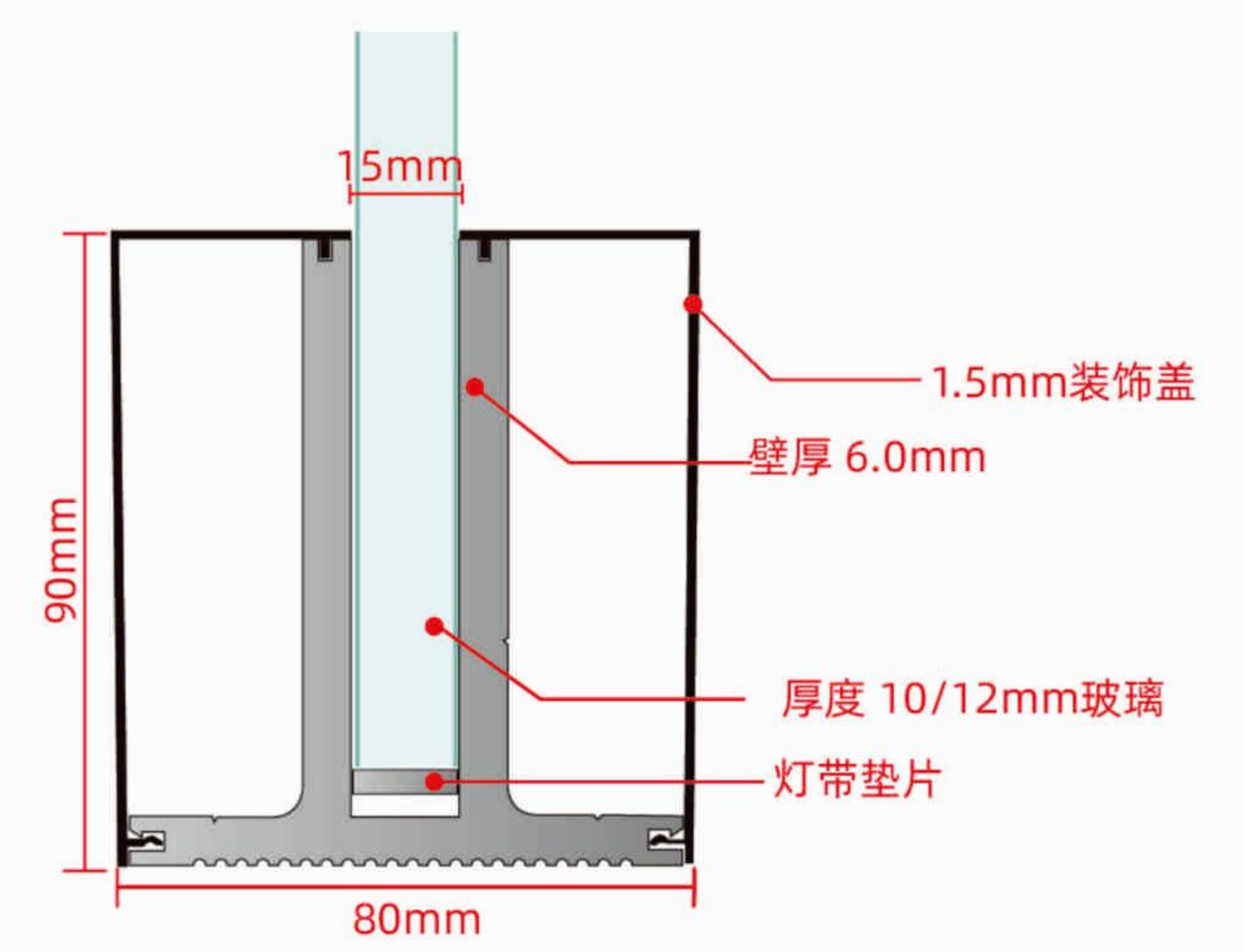


UT-108



TECHNICAL DATE

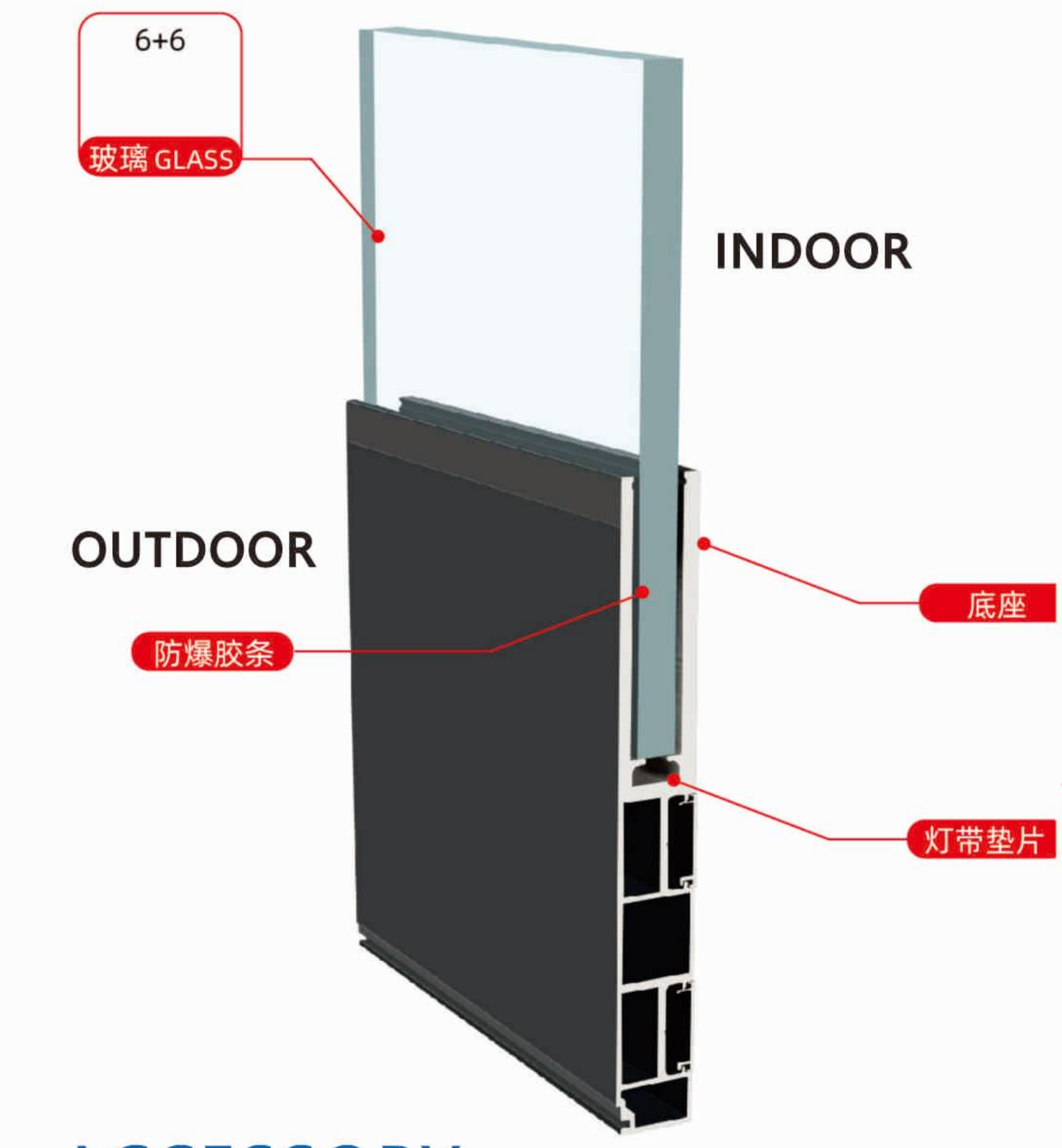
- Material: Aluminum
- Color: Customized
- Finished: Anodized
- Thickness: 2.0MM
- Length: 3 Meters
- Glass Thickness: 12MM
- It can install tape lights



ACCESSORY

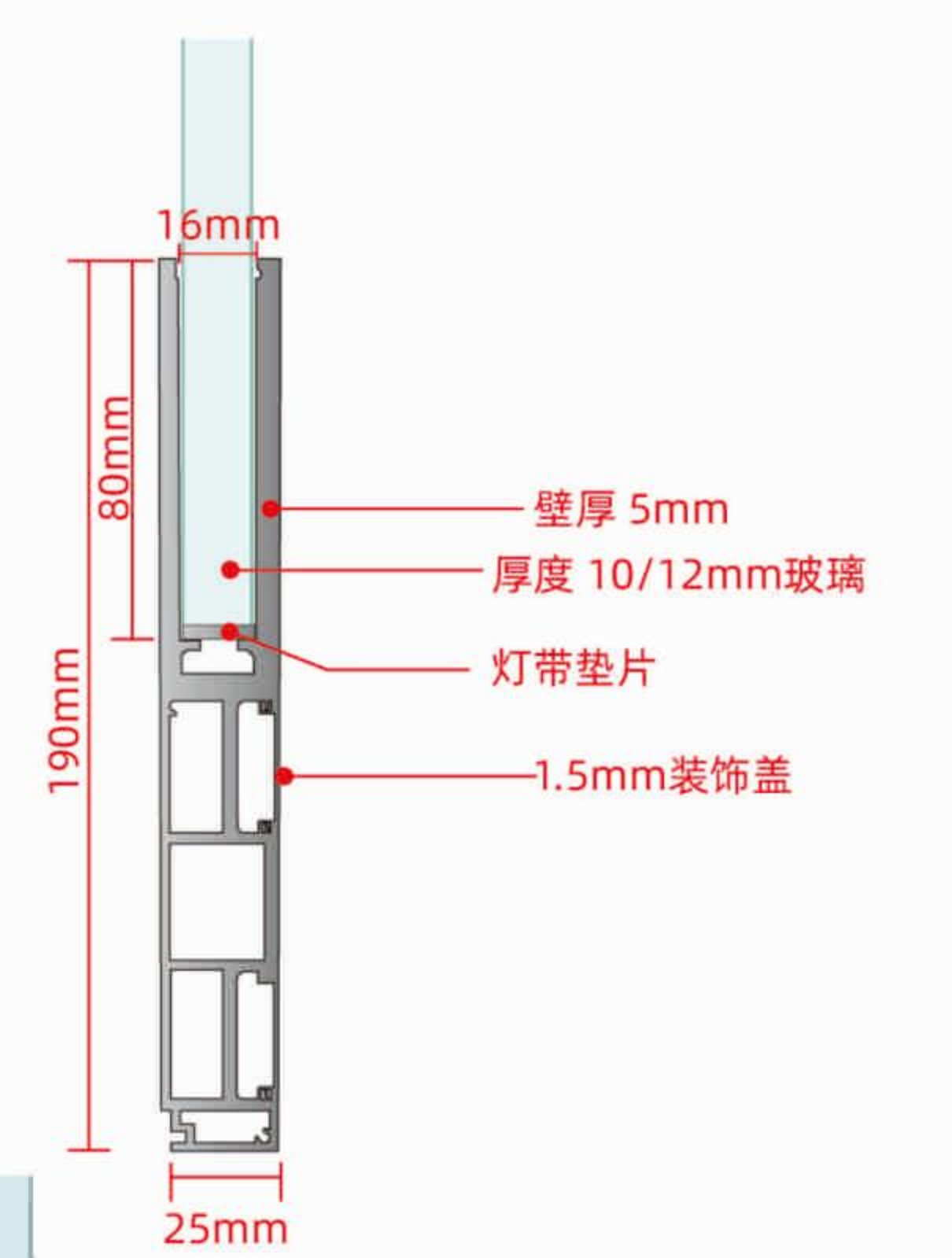


UT-109B

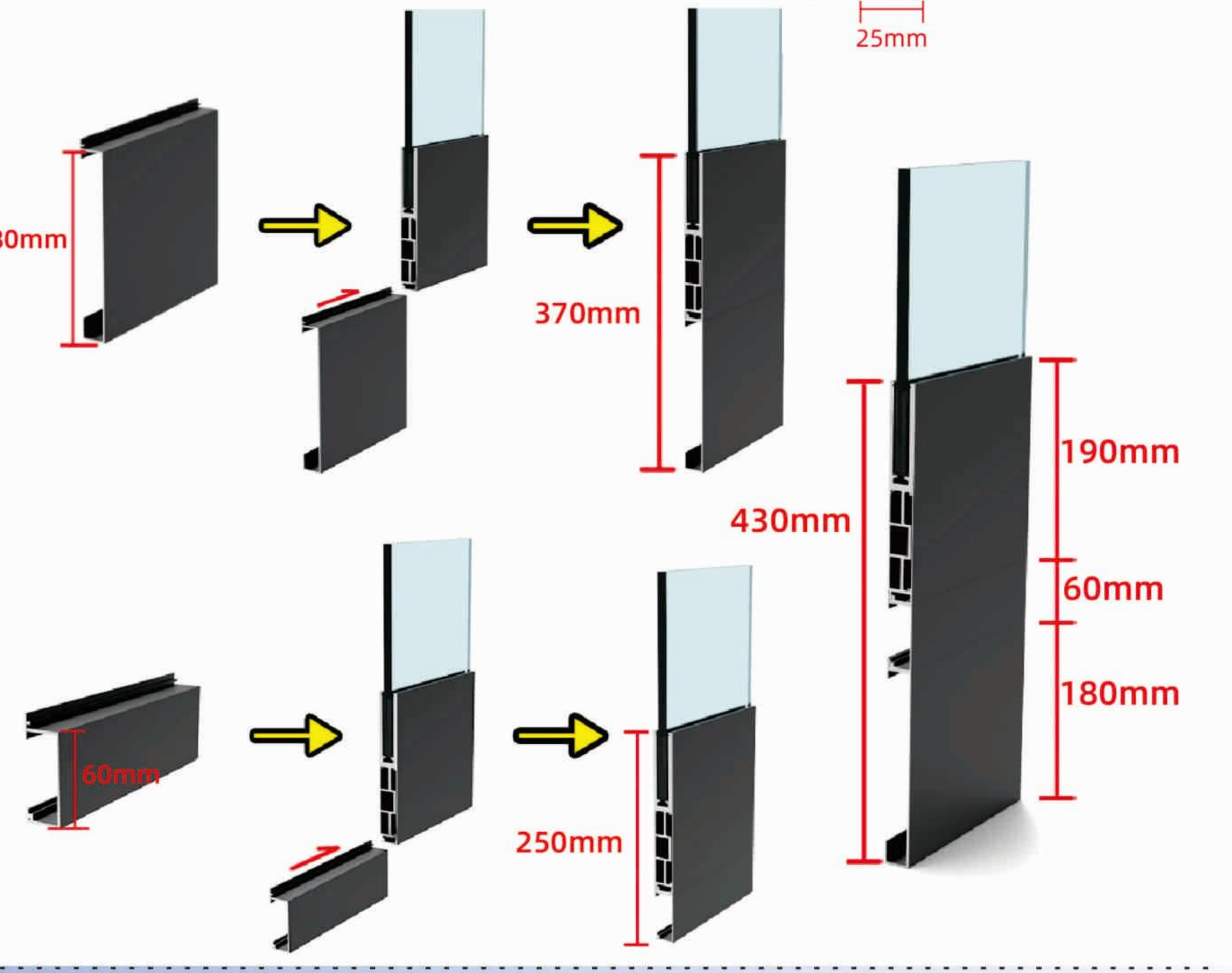


TECHNICAL DATE

- Material: Aluminum
- Color: Customized
- Finished: Anodized
- Thickness: 5MM
- Length: 3.6 Meters
- Glass Thickness: 10/12MM
- It can install tape lights



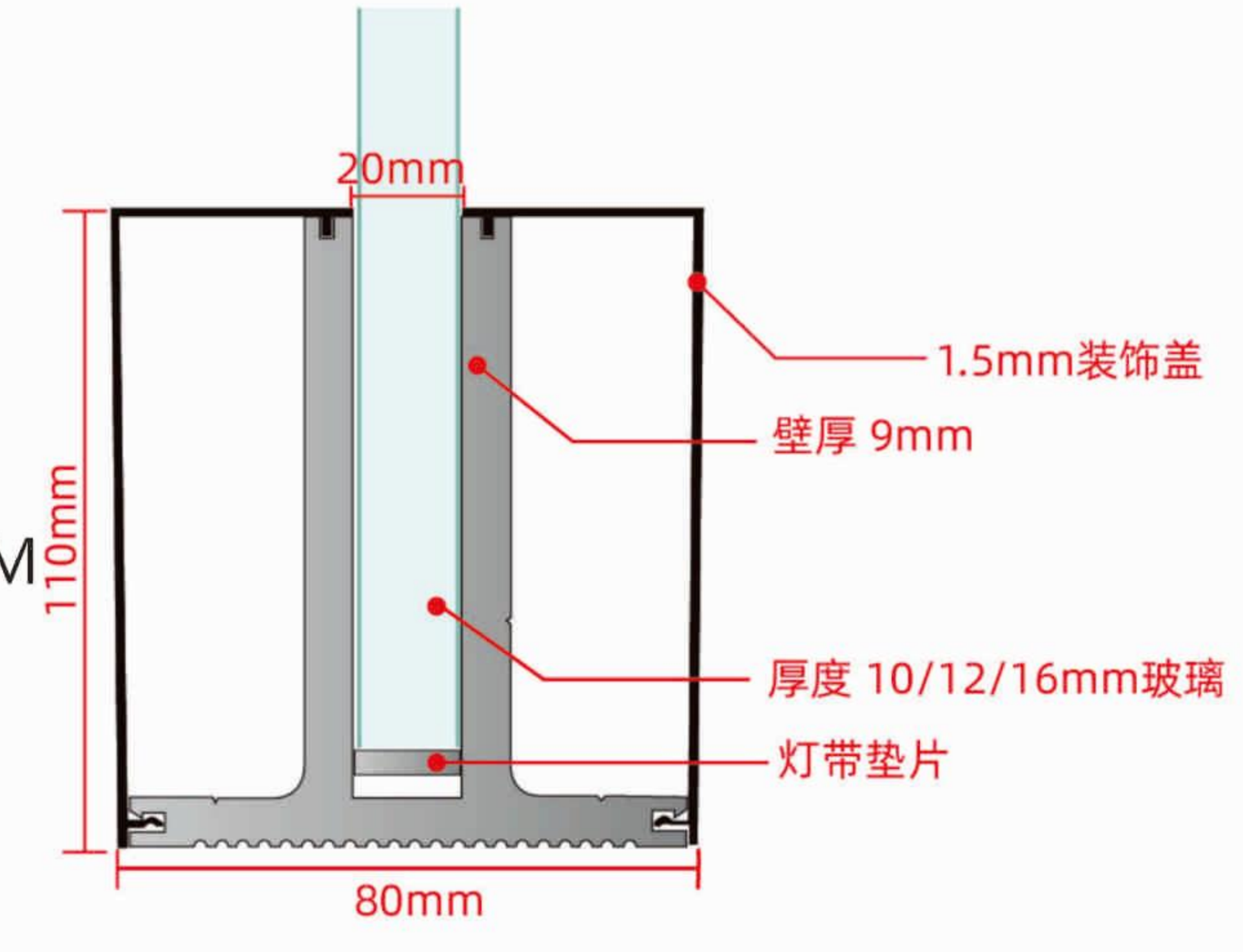
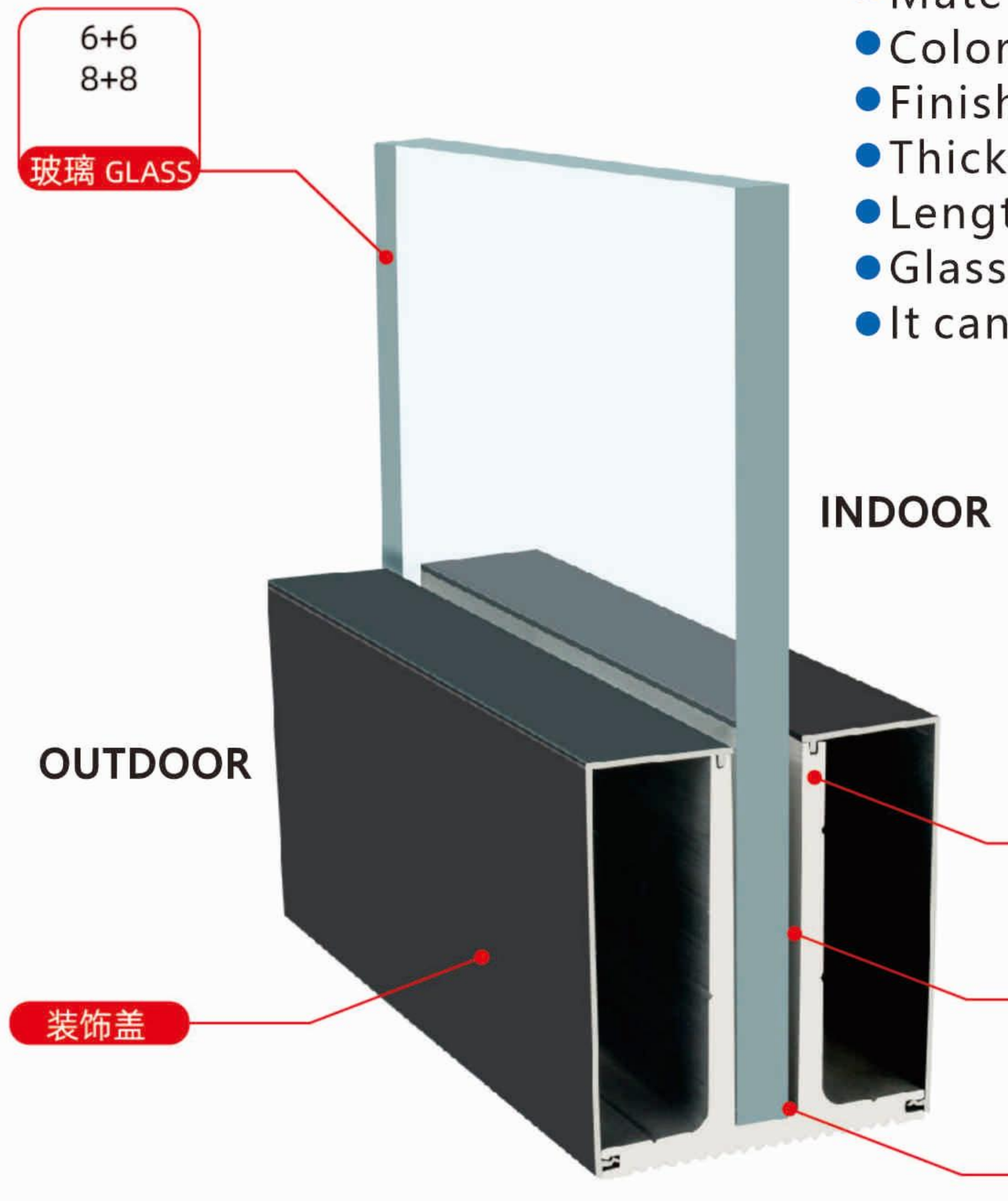
ACCESSORY



UT-110

TECHNICAL DATE

- Material: Aluminum
- Color: Customized
- Finished: Anodized
- Thickness: 9 MM
- Length: 3.5 Meters
- Glass Thickness: 10/12/16MM
- It can install tape lights



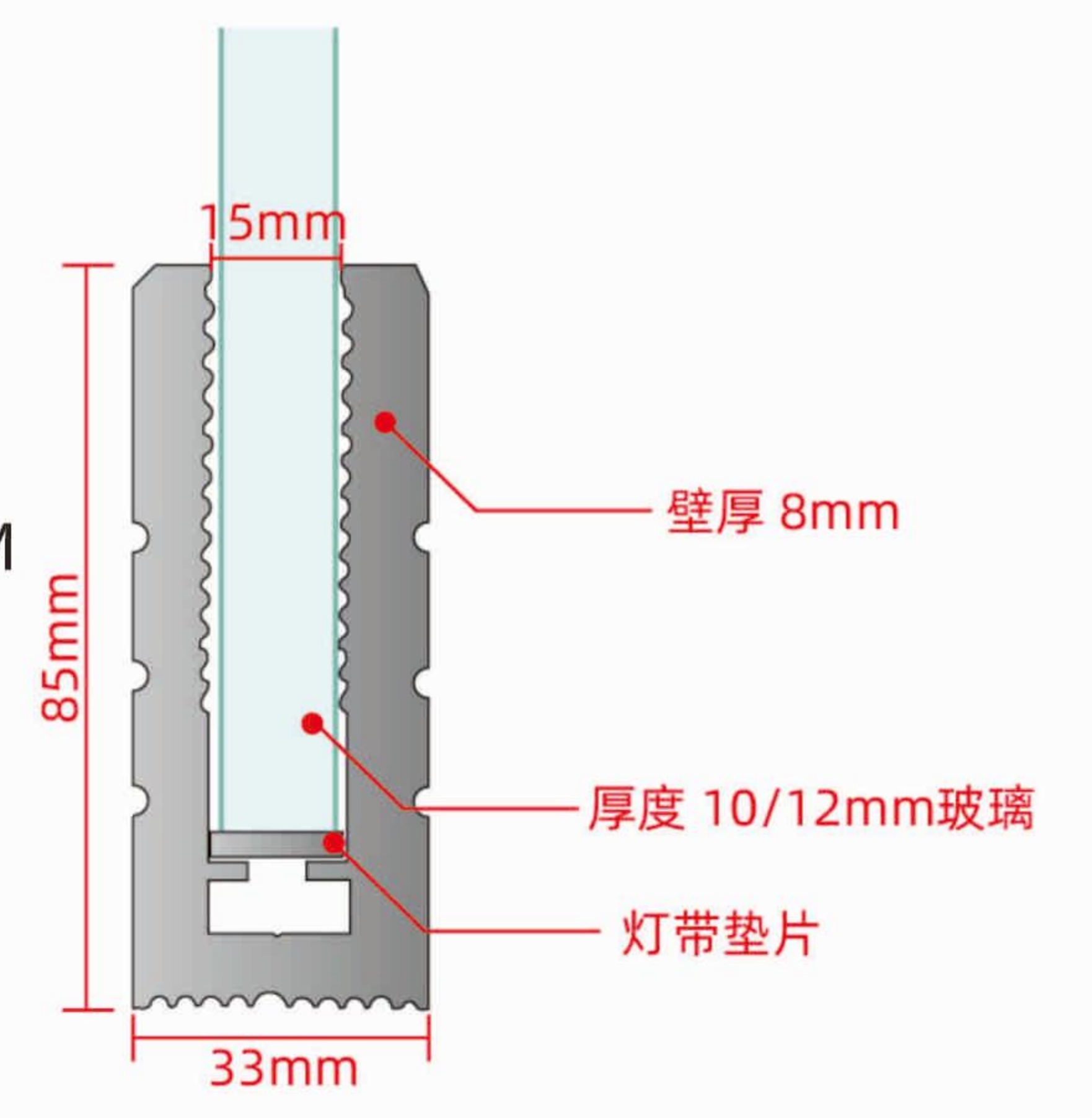
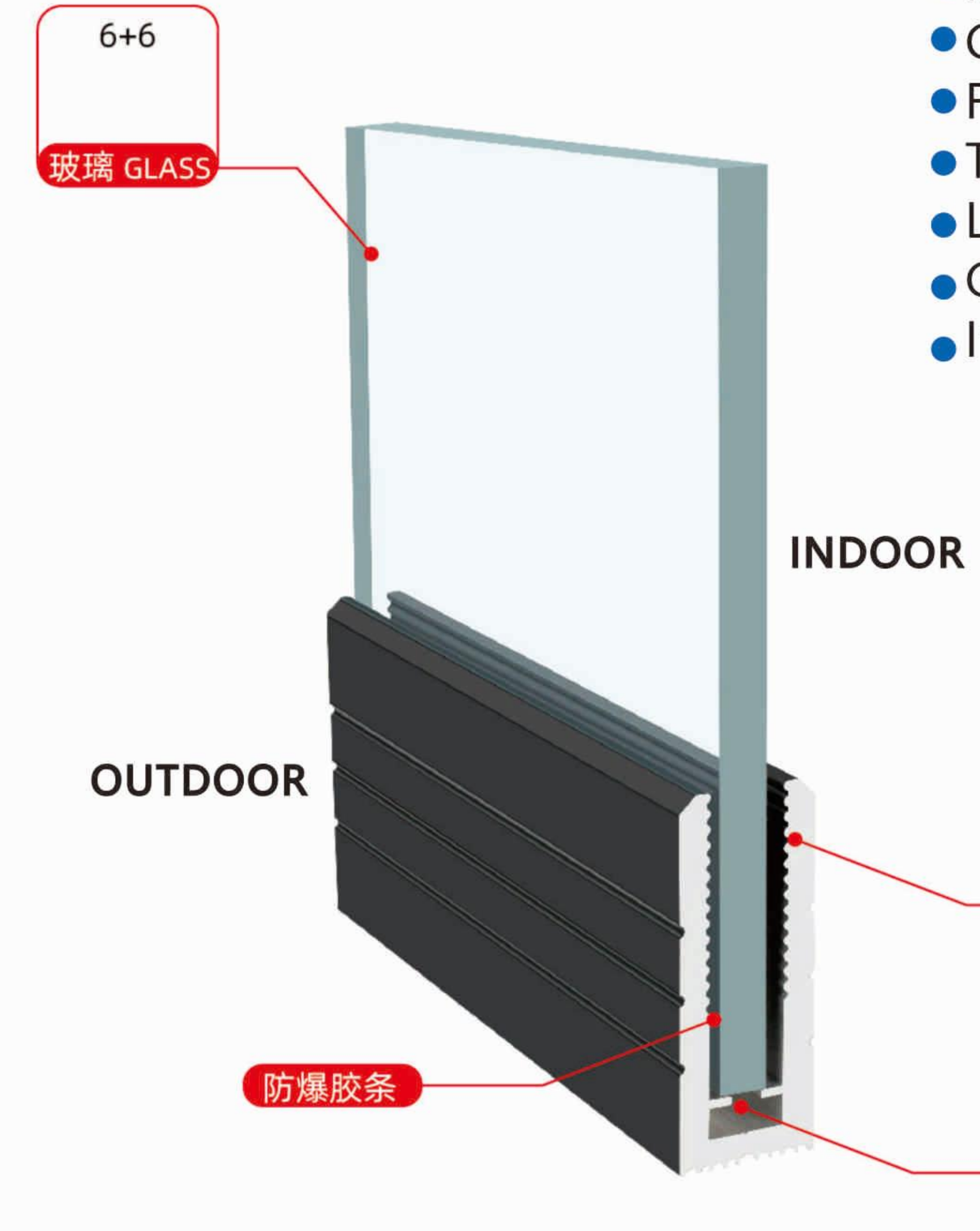
ACCESSORY



UT-112

TECHNICAL DATE

- Material: Aluminum
- Color: Customized
- Finished: Anodized
- Thickness: 8MM
- Length: 3.5 Meters
- Glass Thickness: 10/12MM
- It can install tape lights



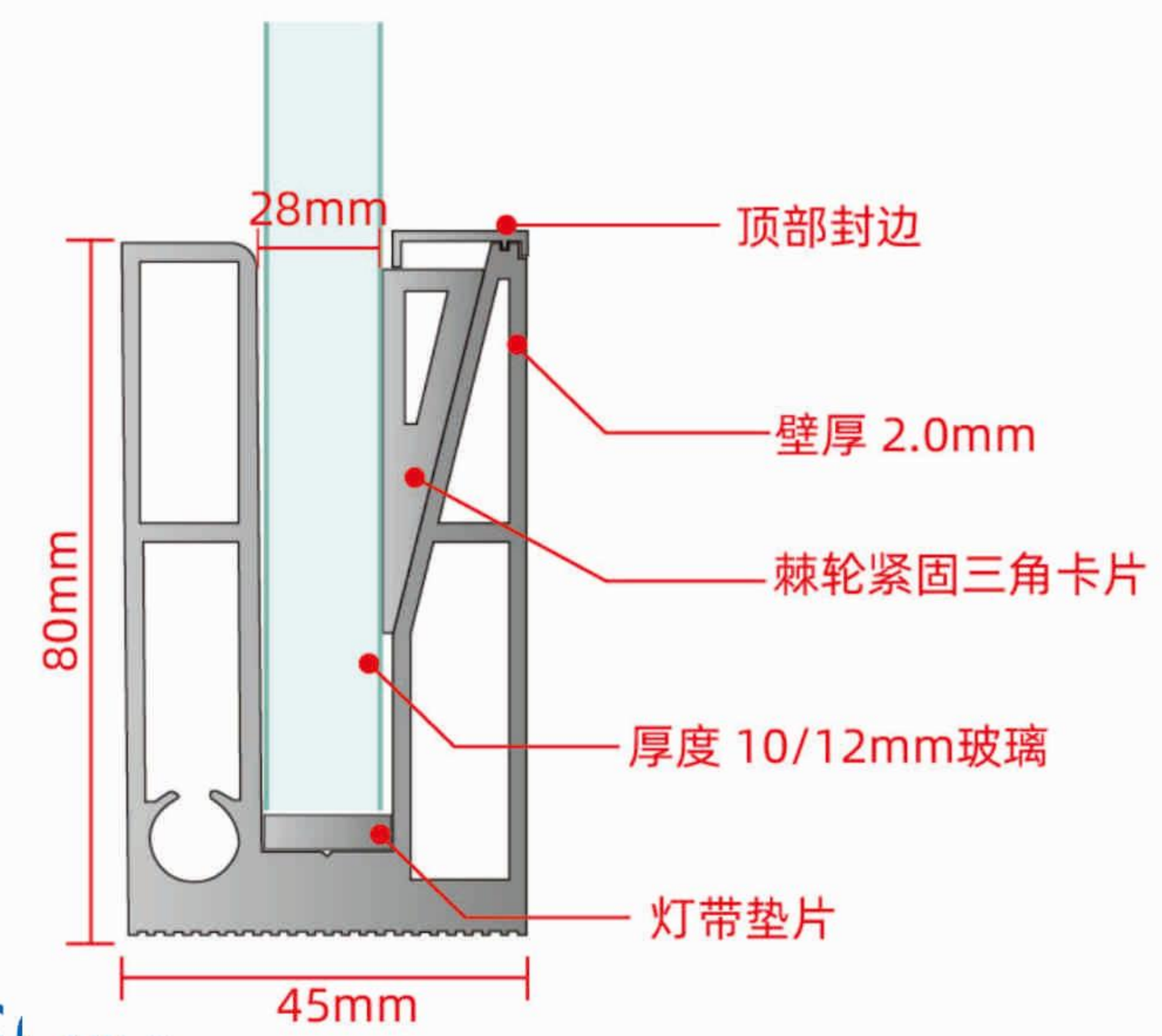
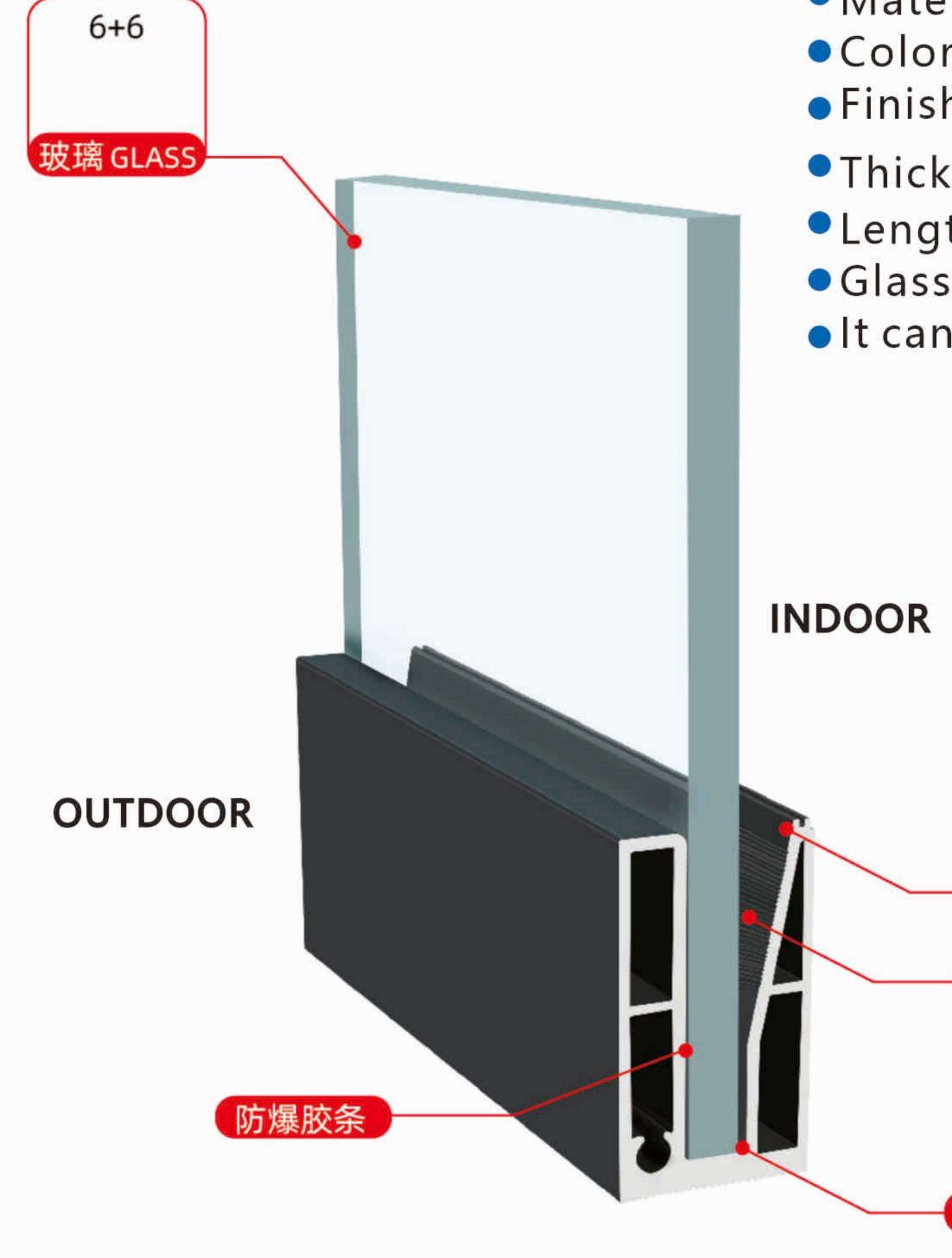
ACCESSORY



UT-111

TECHNICAL DATE

- Material: Aluminum
- Color: Customized
- Finished: Anodized
- Thickness: 2.0MM
- Length: 3.5 Meters
- Glass Thickness: 10/12MM
- It can install tape lights



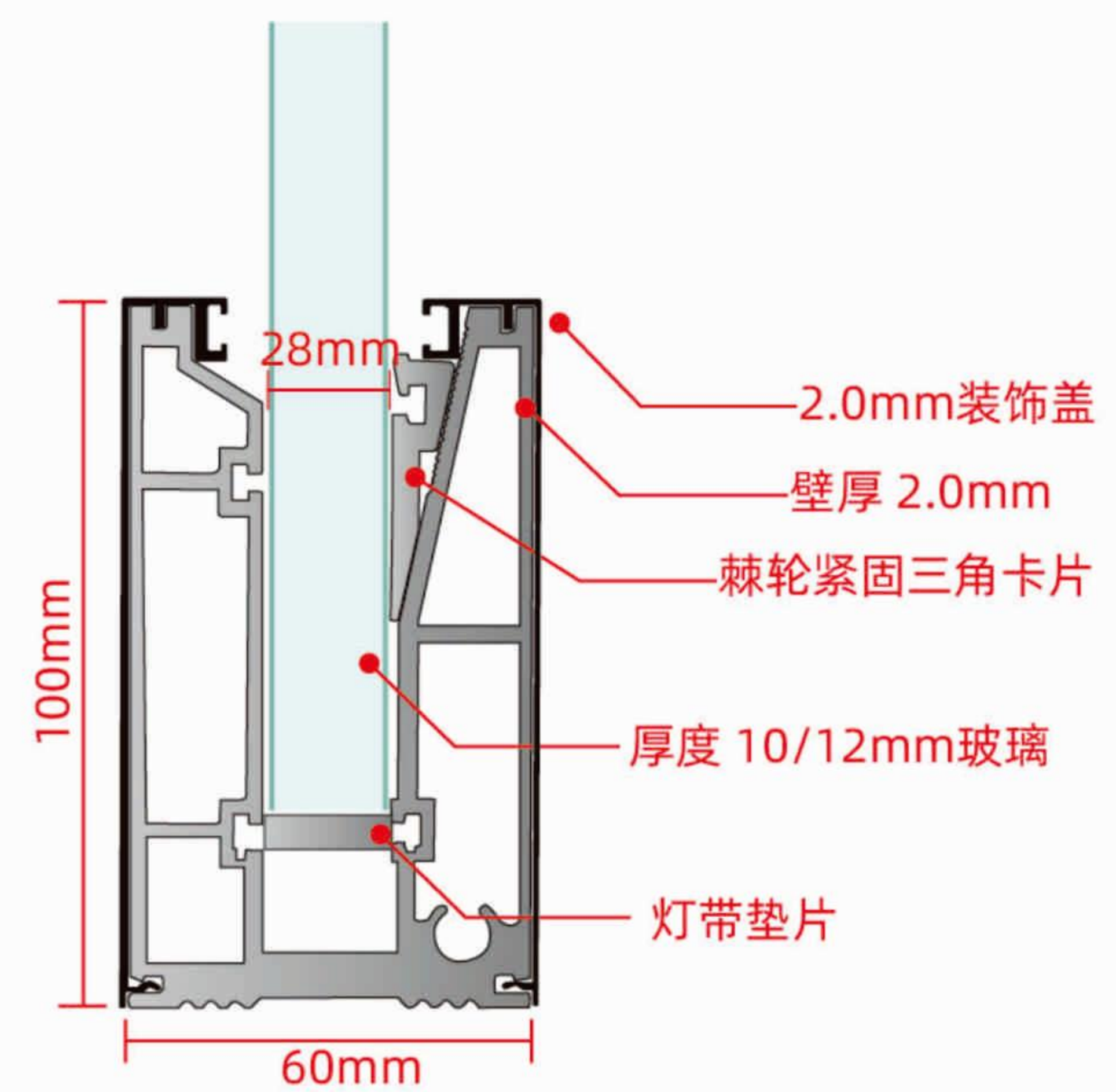
ACCESSORY



UT-113

TECHNICAL DATE

- Material: Aluminum
- Color: Customized
- Finished: Anodized
- Thickness: 5MM
- Length: 3.6 Meters
- Glass Thickness: 10/12MM
- It can install tape lights



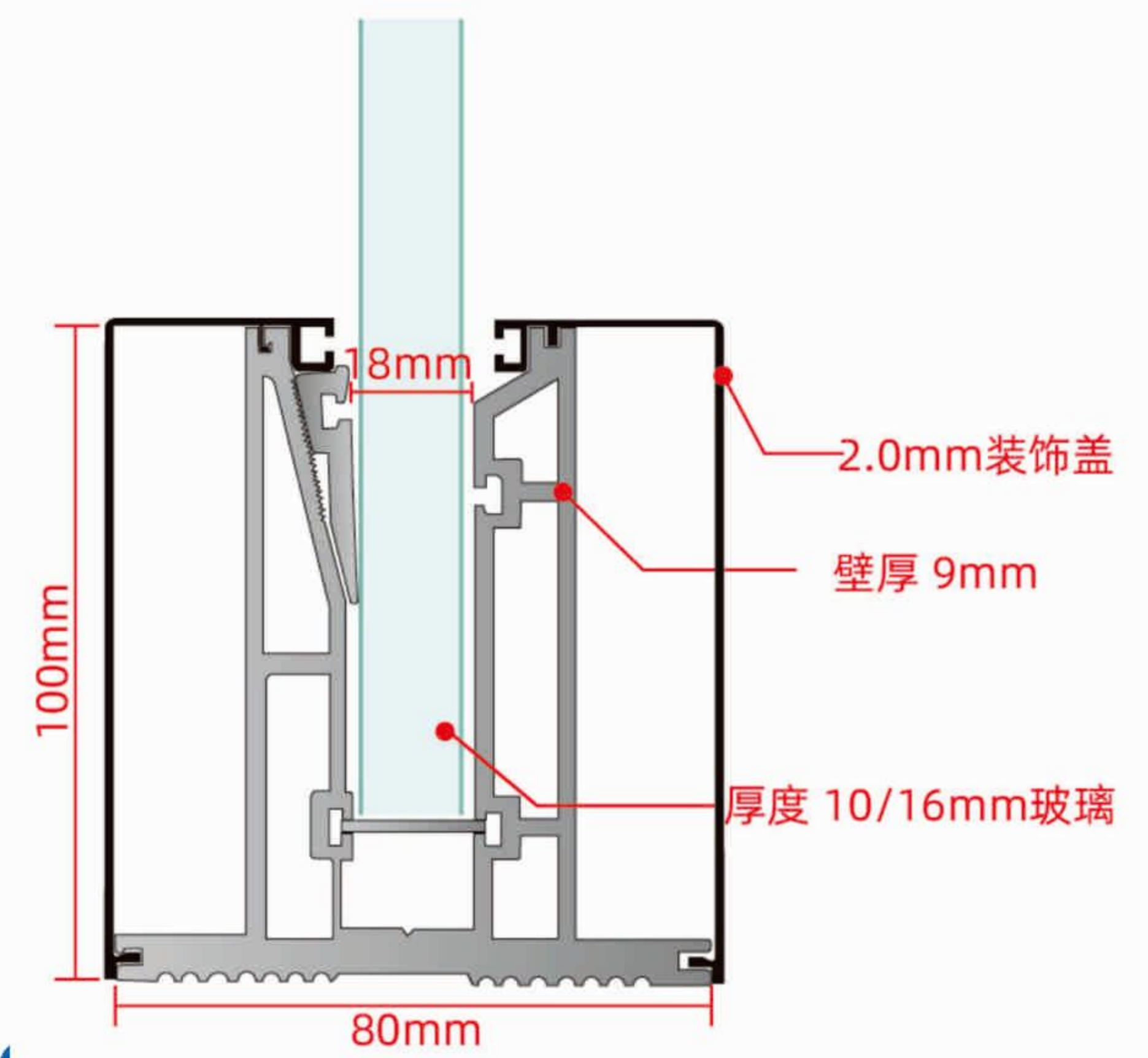
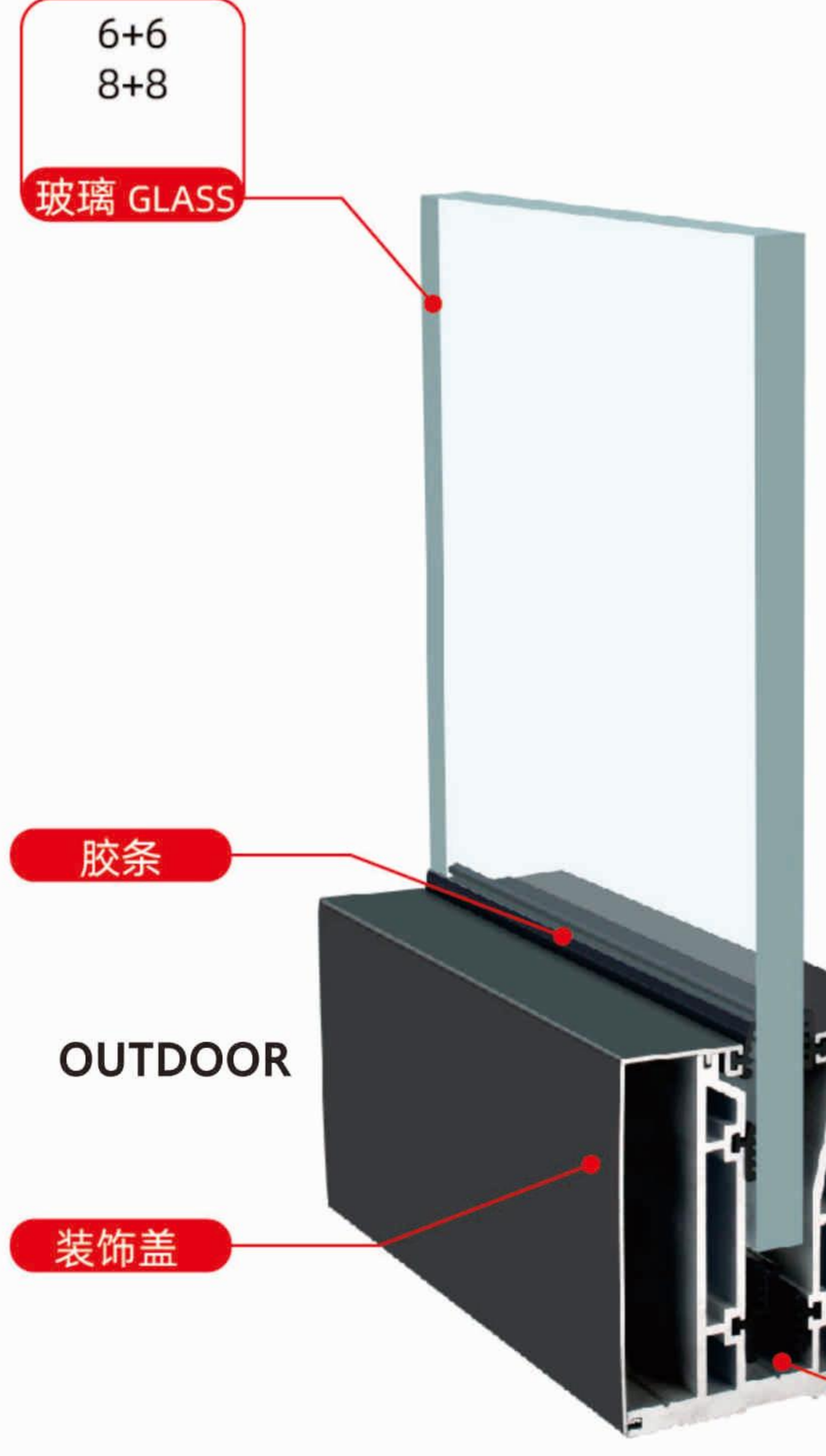
ACCESSORY



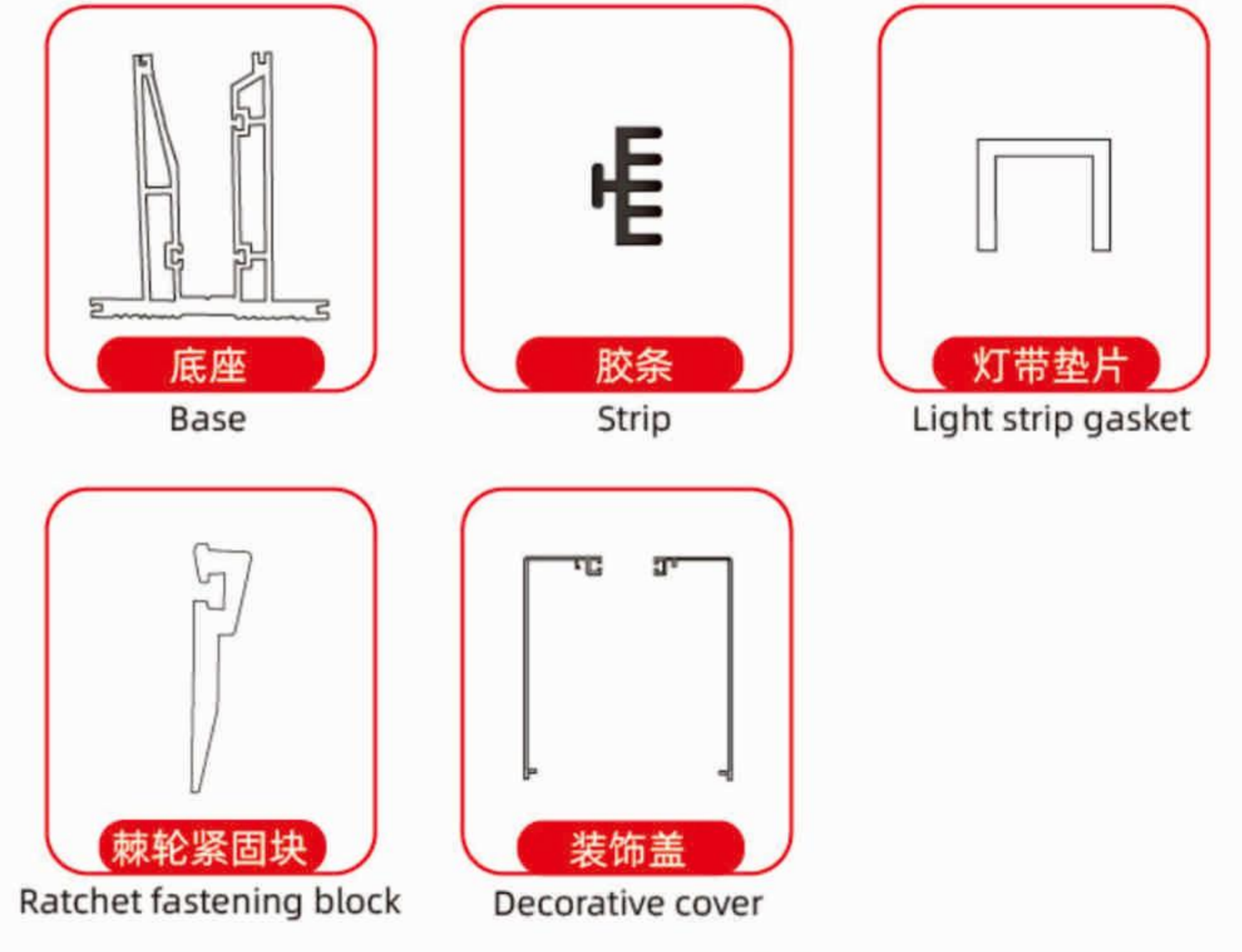
UT-110

TECHNICAL DATE

- Material: Aluminum
- Color: Customized
- Finished: Anodized
- Thickness: 9 MM
- Length: 3 Meters
- Glass Thickness: 10/16MM
- It can install tape lights



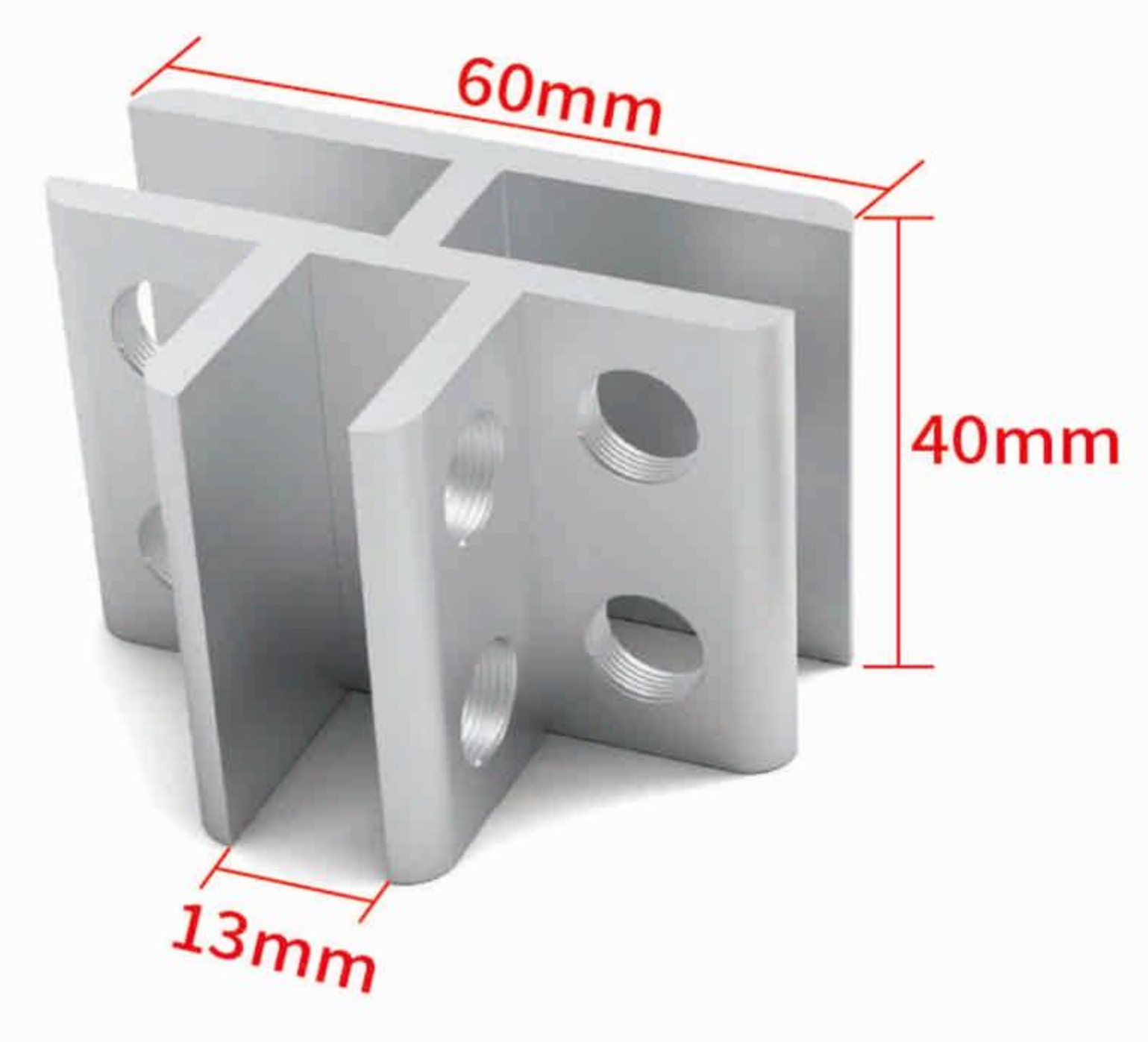
ACCESSORY



UT-130

TECHNICAL DATE

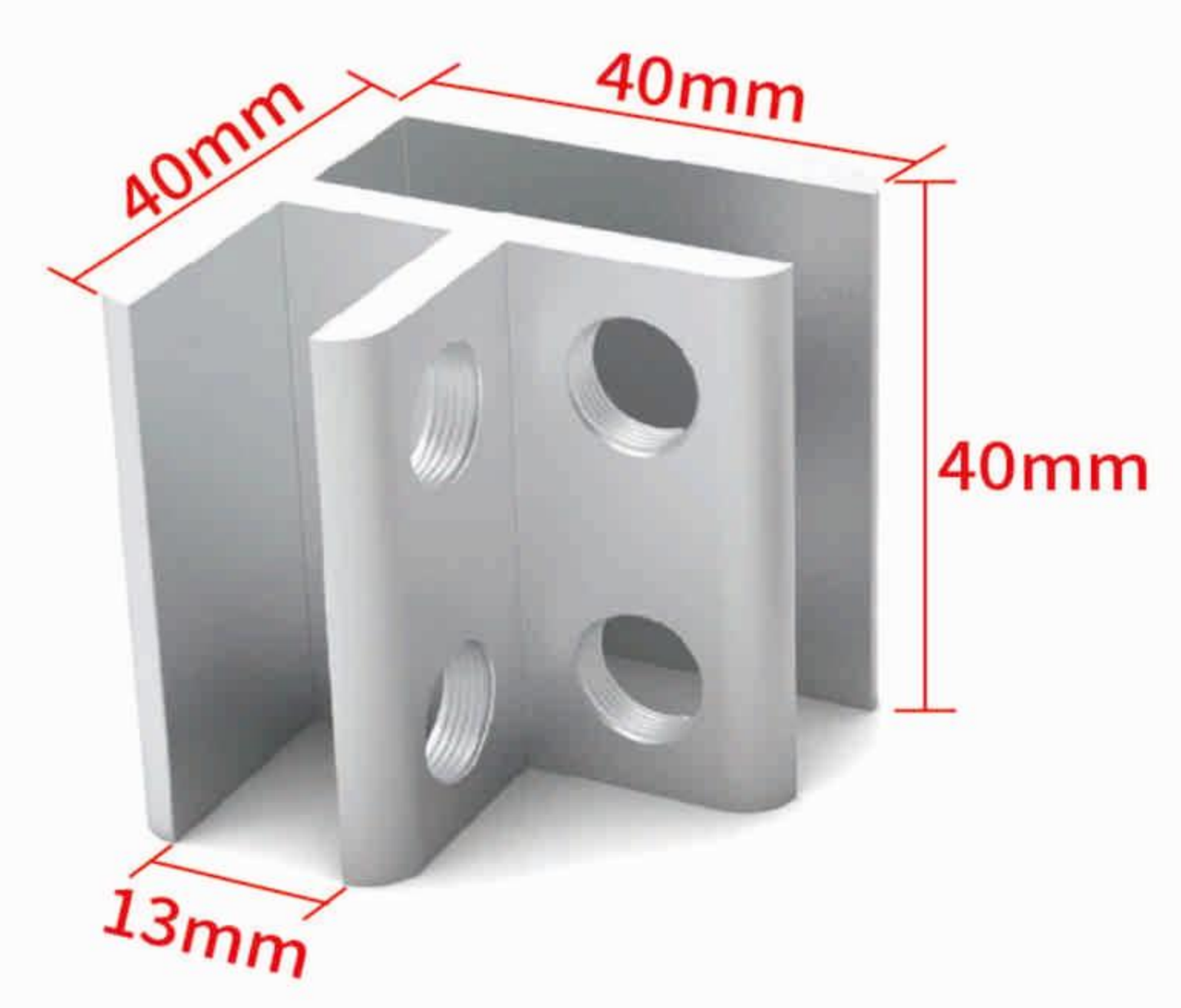
- Material: Aluminum
- Color: Customized
- Finished: Anodized
- Thickness: 4 MM
- Glass Thickness: 12MM



UT-131

TECHNICAL DATE

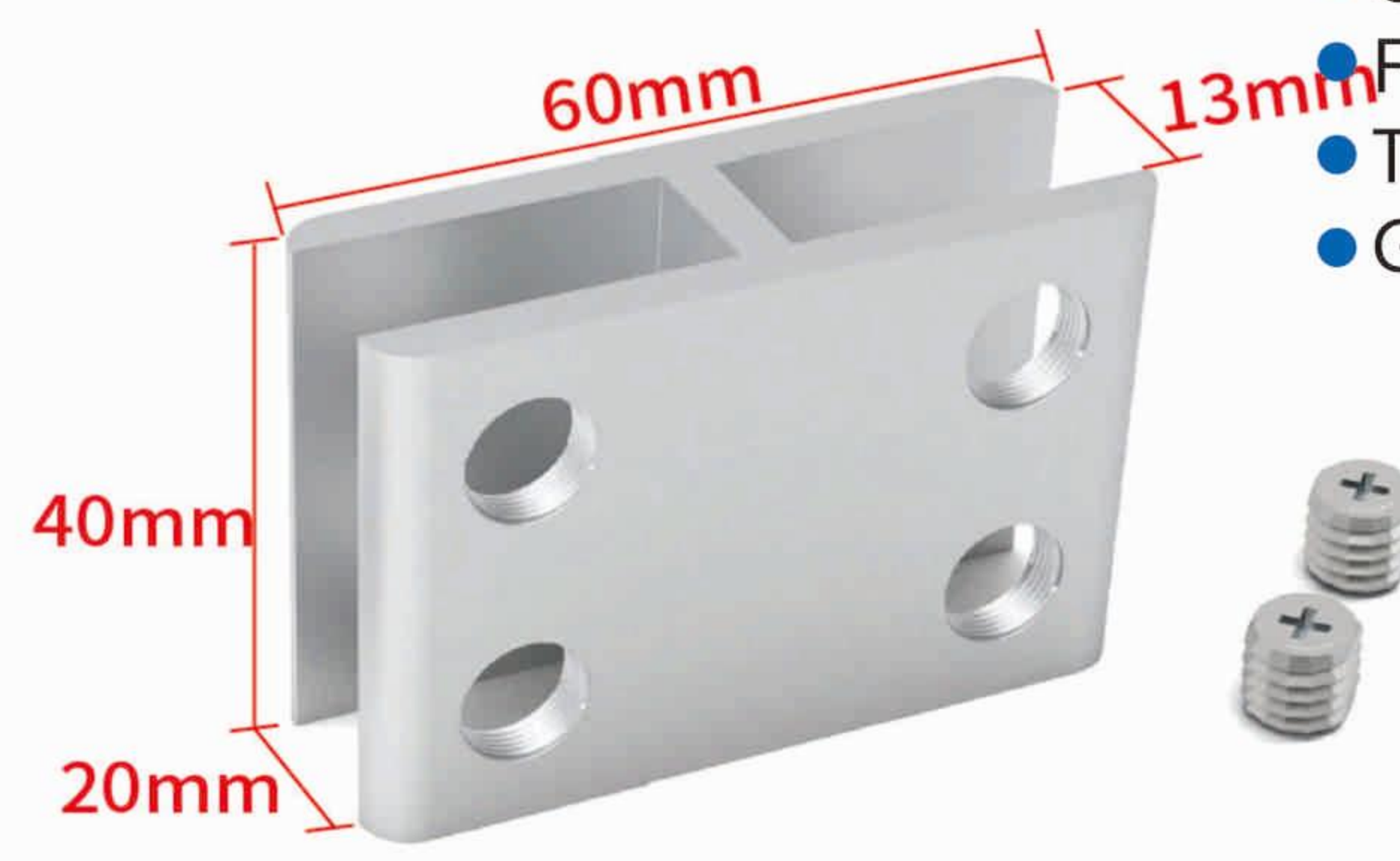
- Material: Aluminum
- Color: Customized
- Finished: Anodized
- Thickness: 4 MM
- Glass Thickness: 12MM



UT-132

TECHNICAL DATE

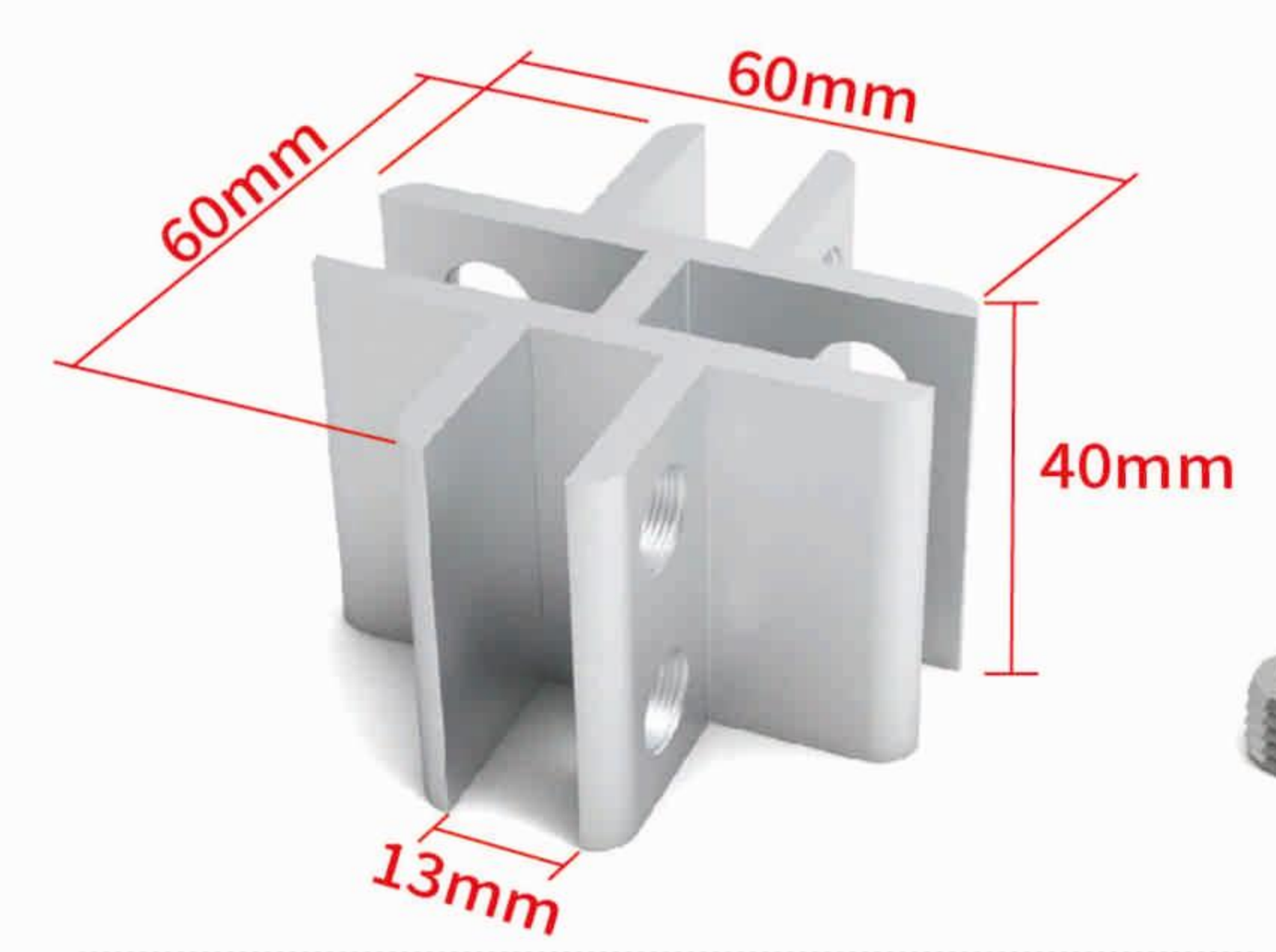
- Material: Aluminum
- Color: Customized
- Finished: Anodized
- Thickness: 4 MM
- Glass Thickness: 12MM



UT-133

TECHNICAL DATE

- Material: Aluminum
- Color: Customized
- Finished: Anodized
- Thickness: 4 MM
- Glass Thickness: 12MM

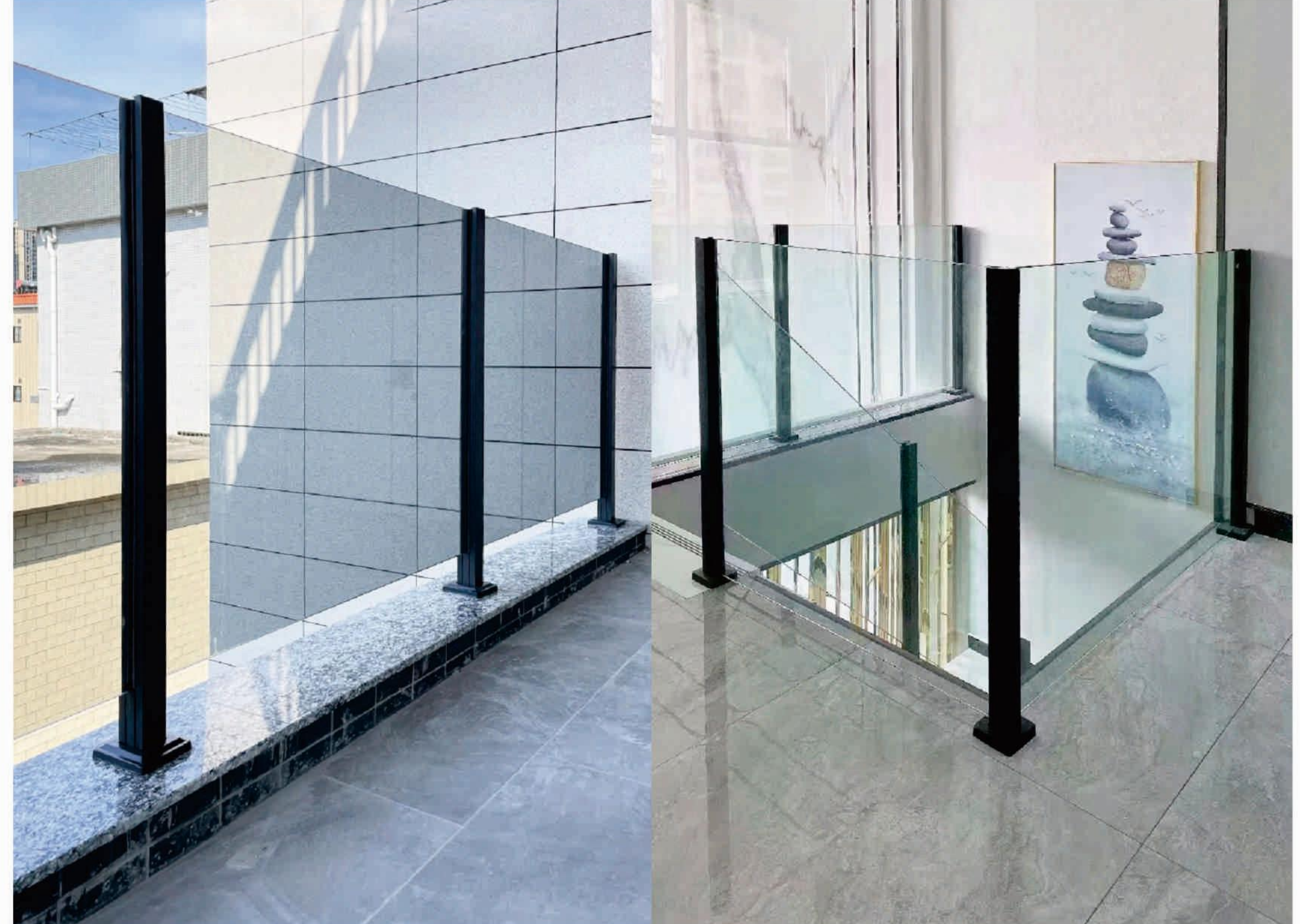


UT-201

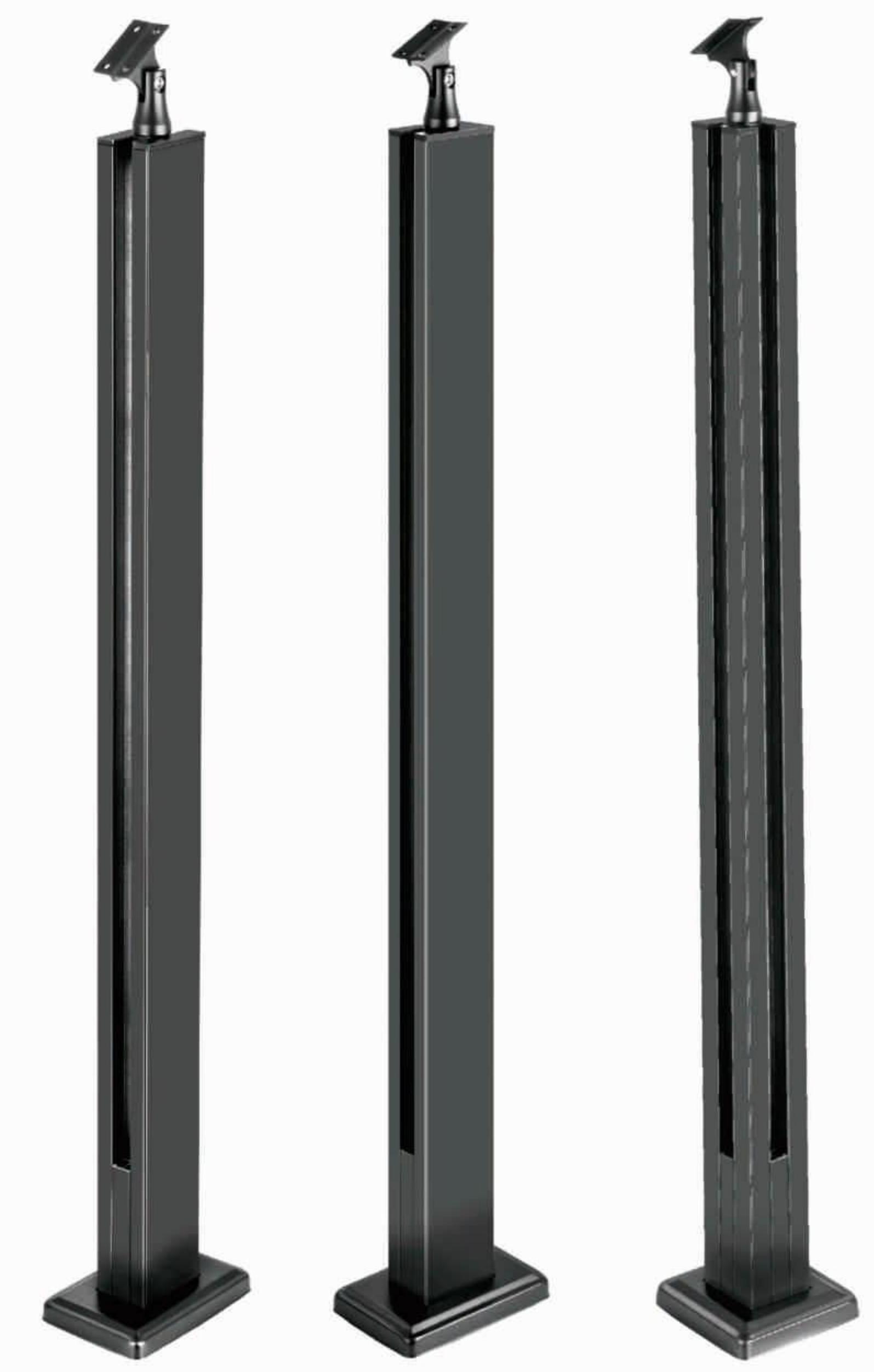


TECHNICAL DATE

- Material: Aluminum
- Color: Customized
- Finished: Anodized/Coating
- Size: 40*60MM
- Length: 850-1050MM

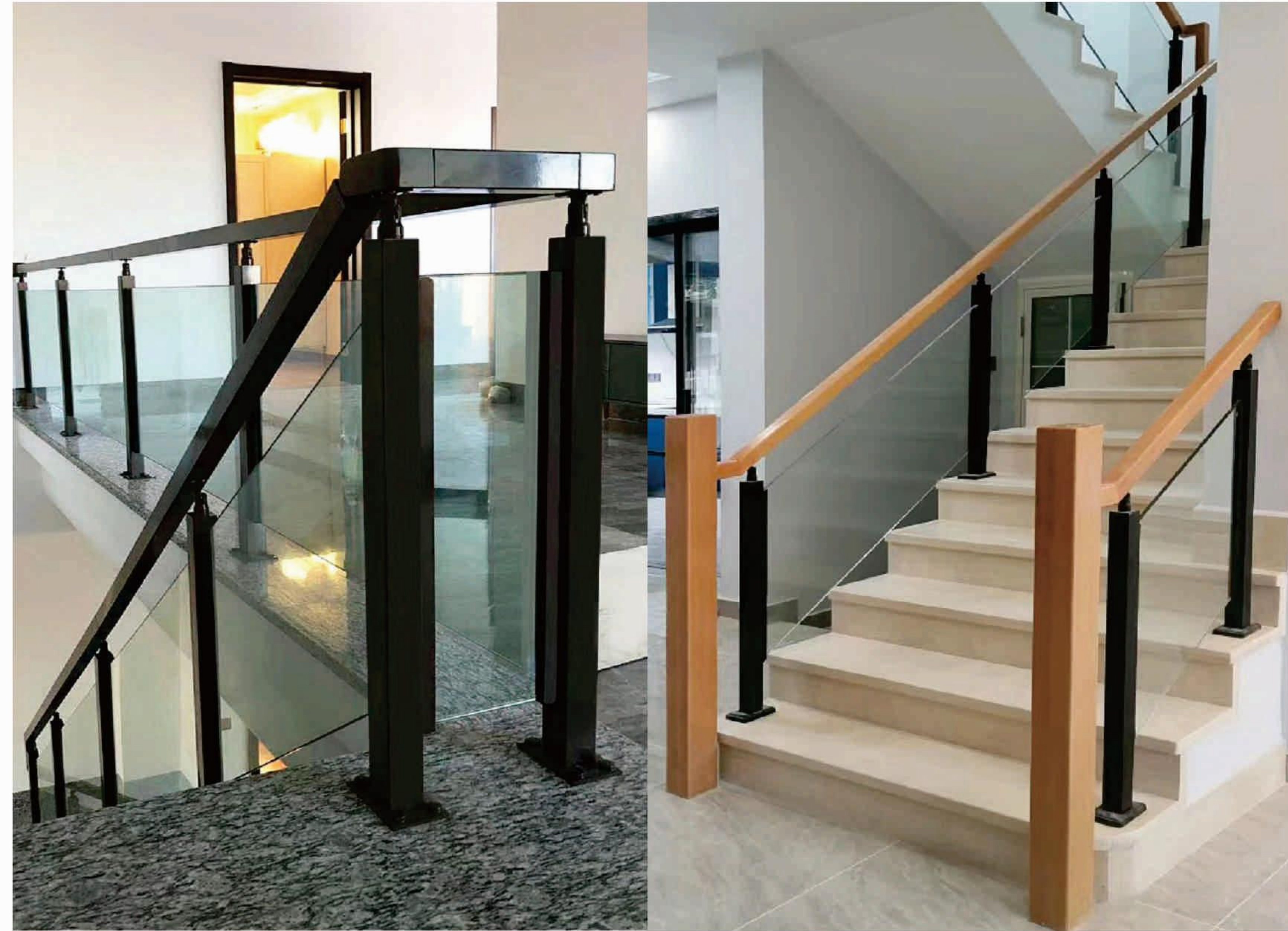


UT-203



TECHNICAL DATE

- Material: Aluminum
- Color: Customized
- Finished: Anodized/Coating
- Size: 40*60MM
- Length: 840*990MM

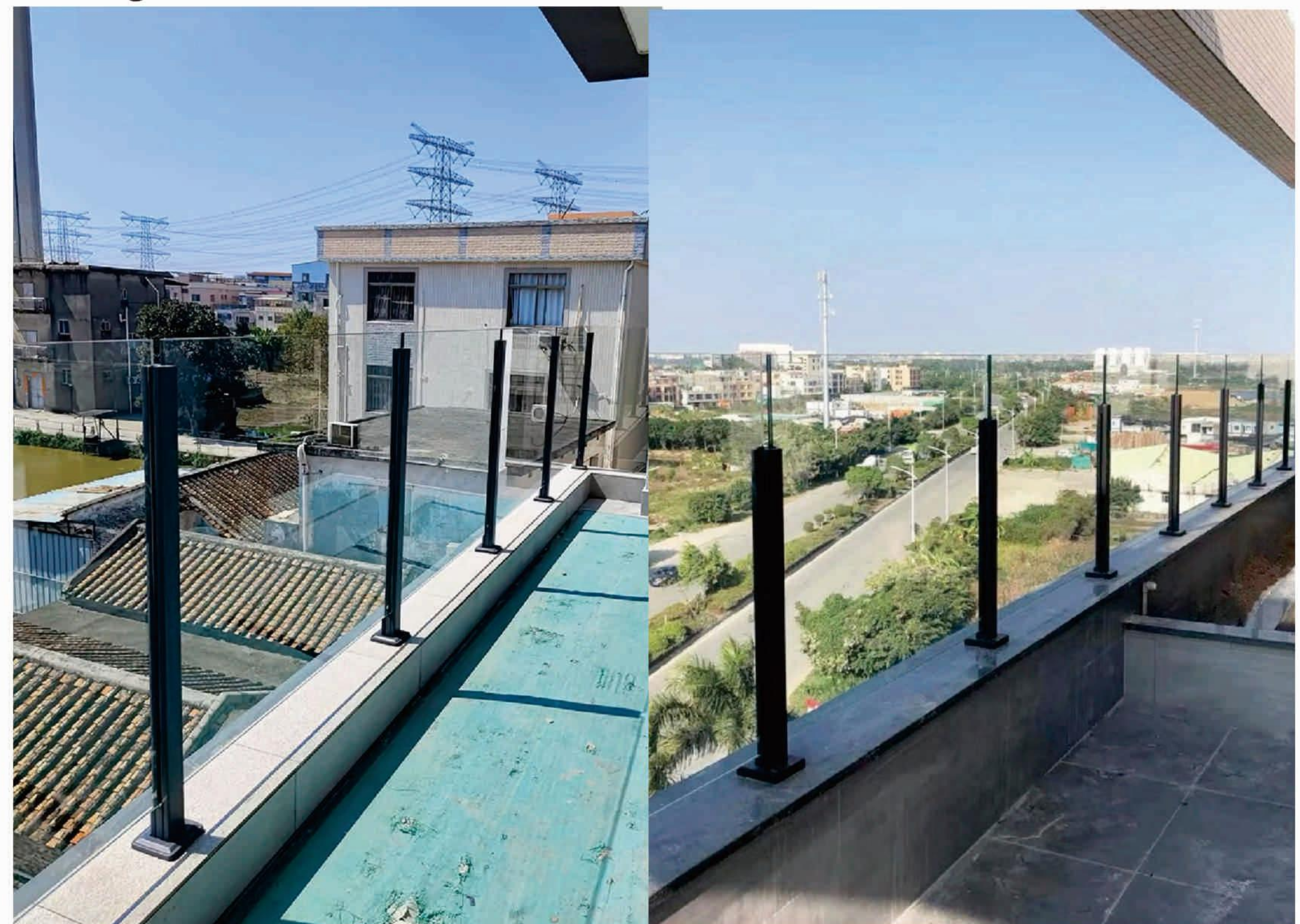


UT-202

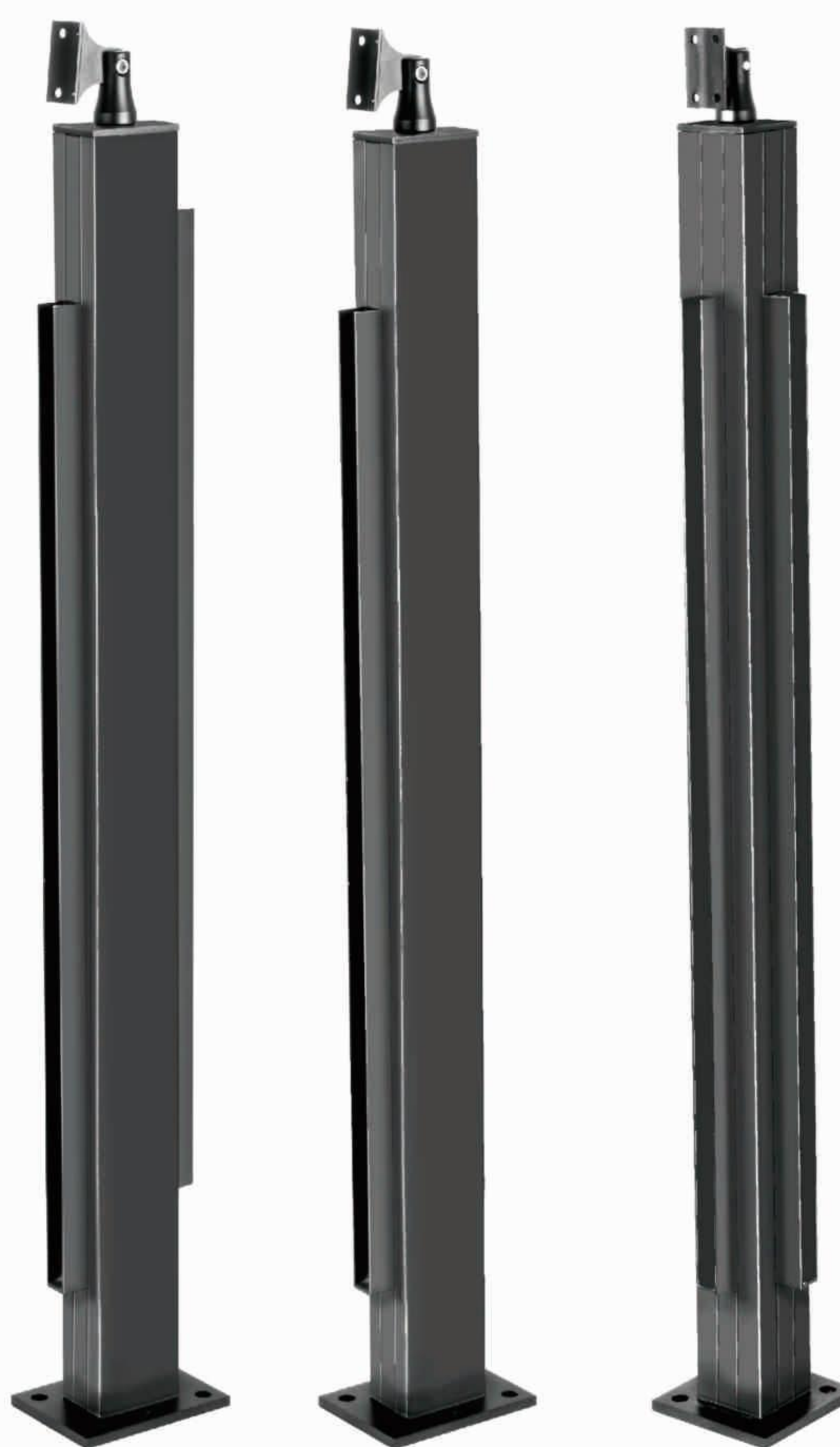


TECHNICAL DATE

- Material: Aluminum
- Color: Customized
- Finished: Anodized/Coating
- Size: 50*50MM
- Length: 840-990MM

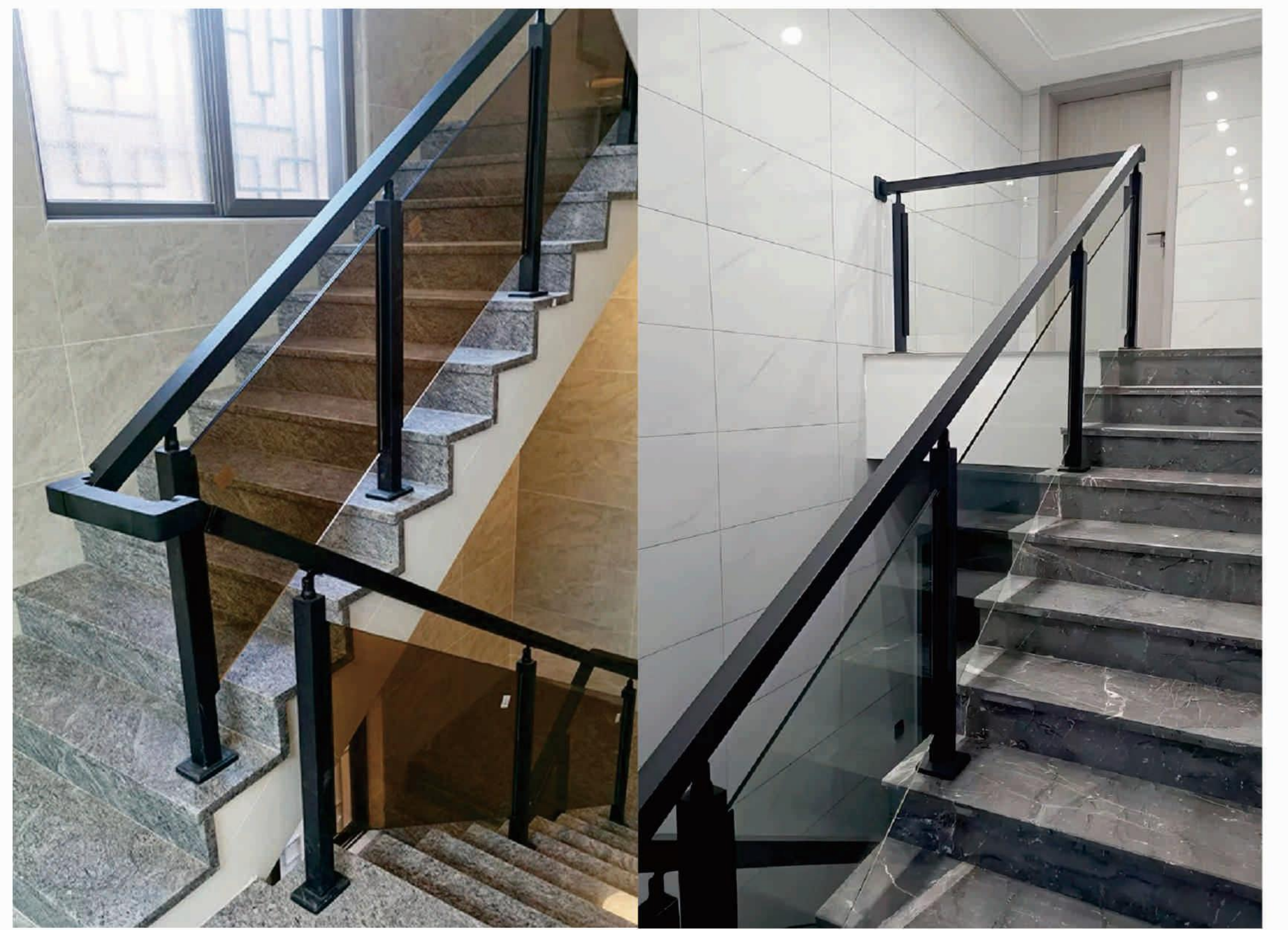


UT-204



TECHNICAL DATE

- Material: Aluminum
- Color: Customized
- Finished: Anodized/Coating
- Size: 40*60MM
- Length: 850-1050MM



UT-205



TECHNICAL DATE

- Material: Aluminum+SS304
- Color: Customized
- Finished: Anodized/Coating
- Length: 840-990MM

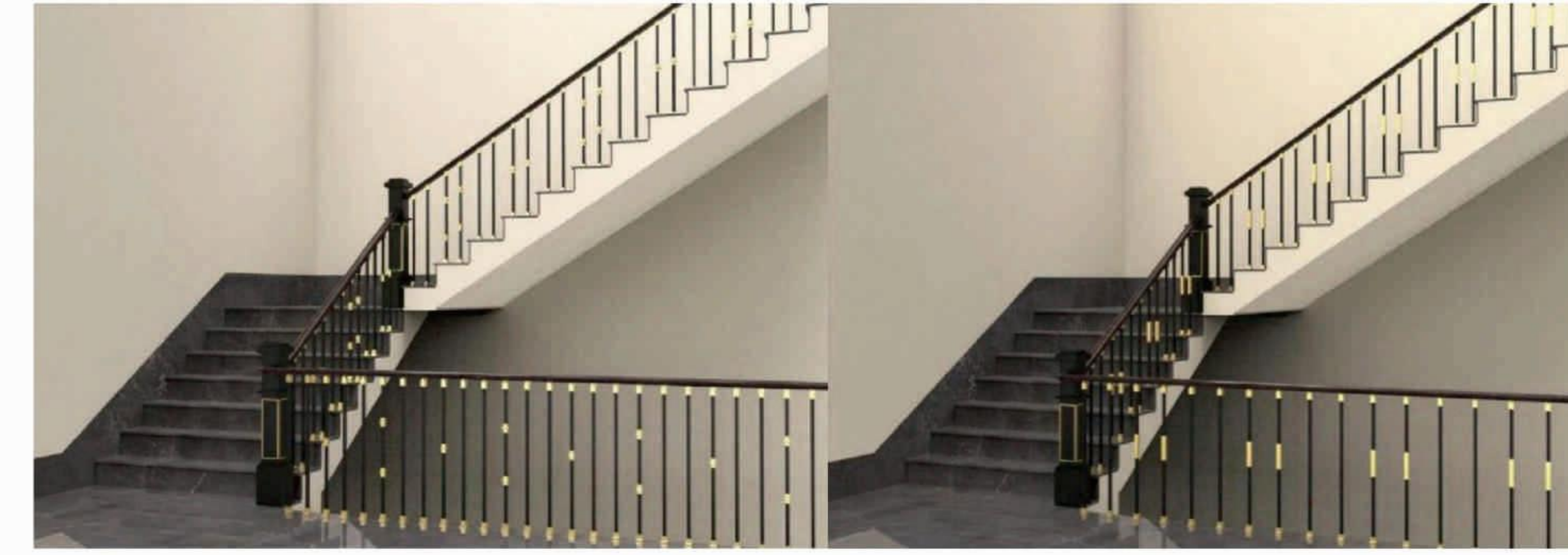


UT-207



TECHNICAL DATE

- Material: Aluminum
- Color: Customized
- Finished: Anodized/Coating
- Length: 950MM

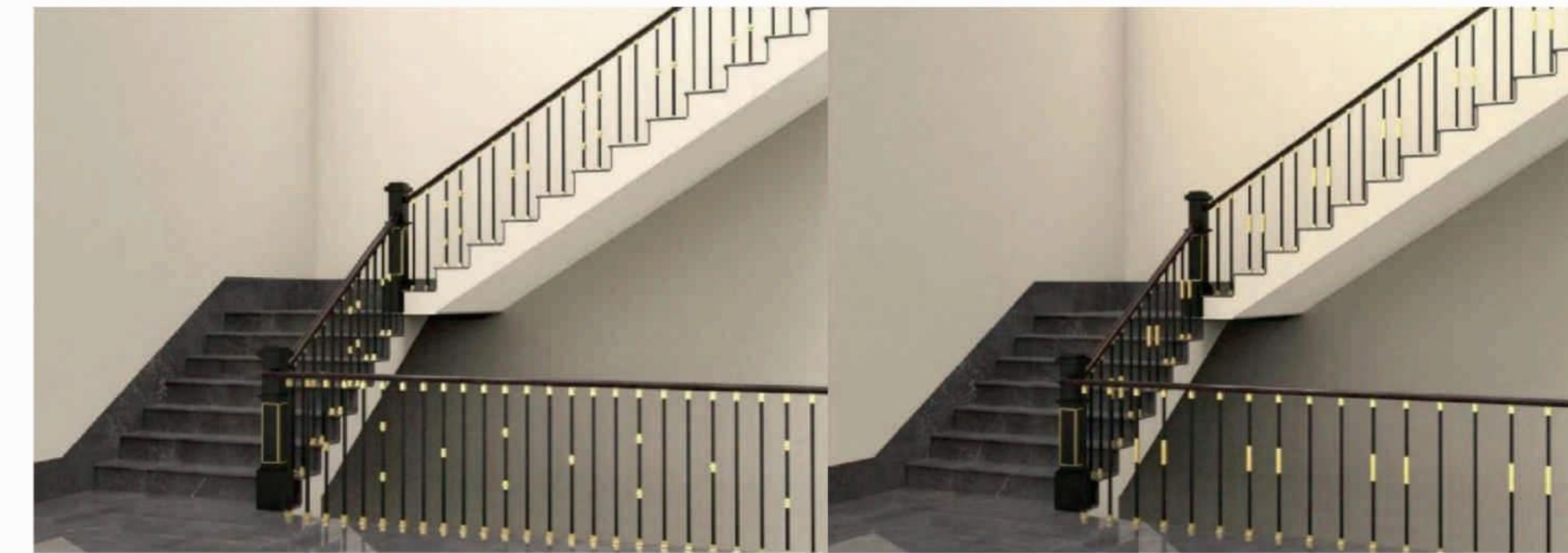


UT-208



TECHNICAL DATE

- Material: Aluminum
- Color: Customized
- Finished: Anodized/Coating
- Length: 950MM

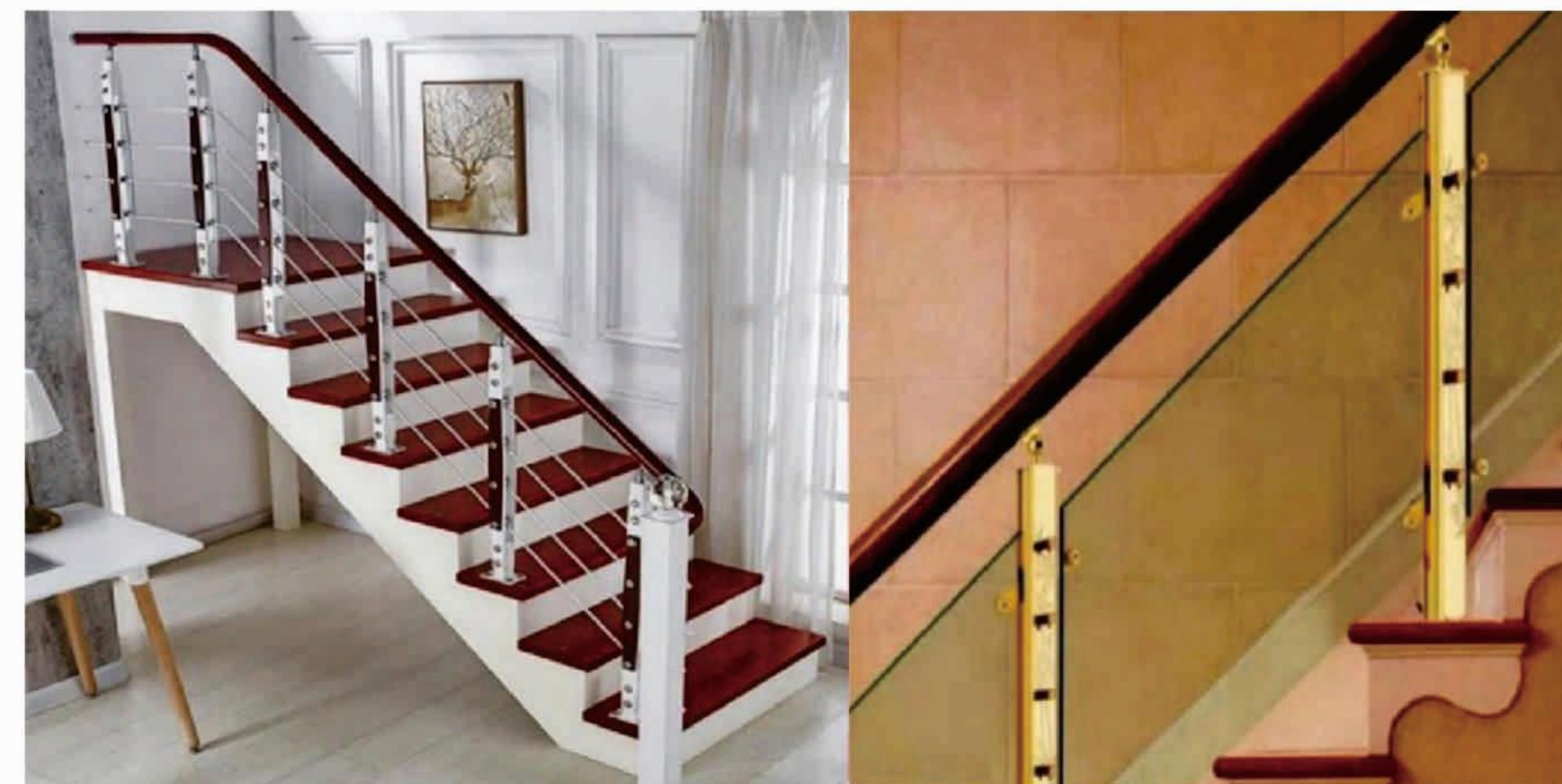


UT-206



TECHNICAL DATE

- Material: Aluminum+SS304
- Color: Customized
- Finished: Anodized/Coating



UT-209



TECHNICAL DATE

- Material: Aluminum
- Color: Customized
- Finished: Anodized/Coating
- Length: 950MM

